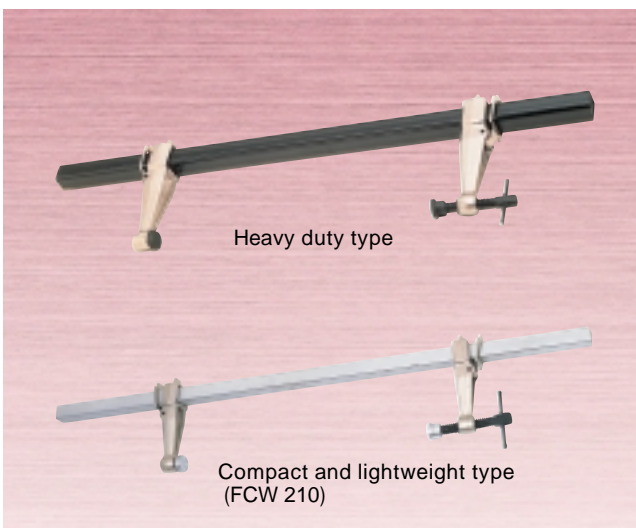


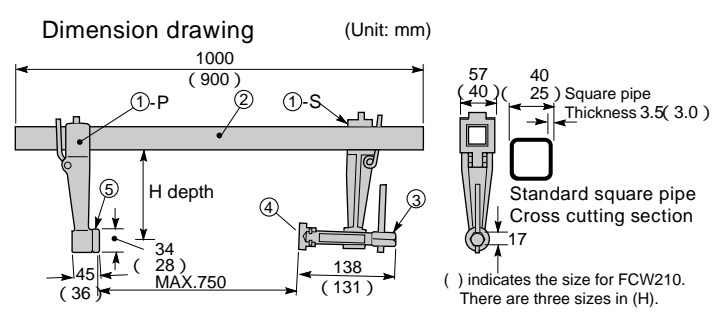


SUPER SETTER PAT.

FCW 210~420



Easy and flexible for temporary stabilizing of welded, steel structures, bridges and civil engineering work.
 Optimal for assembling temporary structures and framing at civil engineering and construction sites.
 Optimal for tightening and holding work, and also for expanding and supporting work.



Capacity

Item No.	Clamping range	Depth(H dimension)	Set weight (Standard square pipe only)	Permissible loads (K.N)	Remarks
FCW 210	0 ~ 700mm	100mm	3.3kg (1.9kg)	3.5 (at the clamping range of 700mm)	
FCW 410	0 ~ 750mm	100mm	6.3kg (3.9kg)	5.5 (at the clamping range of 750mm)	
FCW 415	0 ~ 750mm	150mm	6.9kg (3.9kg)	3.9 (at the clamping range of 750mm)	
FCW 420	0 ~ 750mm	200mm	7.5kg (3.9kg)	3.0 (at the clamping range of 750mm)	

Parts No. (Standard parts are provided in a set.)

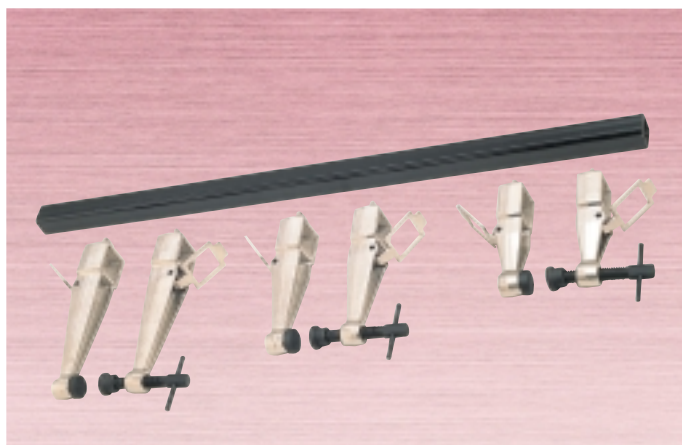
Name·Drawing No.	Body-S (with forcing screw, adapter and handle)	Body-P (with fixing screw)	Standard square pipe (0.9m)(1m)	Forcing screw (with handle)	Adapter for forcing screw (with spring)	Fixing screw
Item No.	-S	-P				
FCW 210	FCWS 210	FCWP 210	FCWK 210	FCWD 210	FCWH 210	FCWU 210
FCW 410	FCWS 410	FCWP 410	FCWK 40	FCWD 40	FCWH 40	FCWU 40
FCW 415	FCWS 415	FCWP 415	FCWK 40	FCWD 40	FCWH 40	FCWU 40
FCW 420	FCWS 420	FCWP 420	FCWK 40	FCWD 40	FCWH 40	FCWU 40

Examples of use

Optimal for expanding and tightening a variety of work.



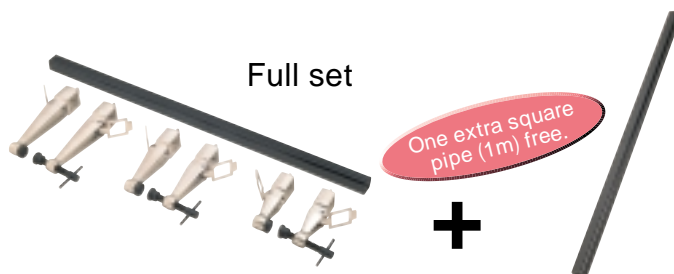
SUPER SETTER FULL SET (Heavy duty type)



FCW 4000

The basic work operations can be performed with this set.

Economical full set



Contents of full set (8 item set)

Item No.	Set contents	Remarks
FCW 4000	Body-S (with forcing screw, adapter and handle) 3 pieces (1 piece each) Body-P (with fixing screw) 3 pieces (1 piece each) Square pipe (1m) 2 pieces	

Parts for super setter series

Parts	Item name	Item No.	Remarks
	Body-S (with forcing screw, adapter and handle)	FCWS 210	
		FCWS 410	
		FCWS 415	
		FCWS 420	
	Body-P (with fixing screw)	FCWP 210	
		FCWP 410	
		FCWP 415	
		FCWP 420	
	Body-B (body only)	FCWB 210	
		FCWB 410	
		FCWB 415	
		FCWB 420	
	Fixing screw	FCWU 210	
		FCWU 410	

Parts	Item name	Item No.	Remarks
	Square pipe	0.9m FCWK 210	
		1m FCWK 40	
		1.5m FCWK 4015	
		2m FCWK 4020	
	Forcing screw with handle	FCWD 210	
		FCWD 40	
	Forcing screw with handle (long type)	FCWD 4018	
	Adapter for forcing screw (with spring)	FCWH 210	
		FCWH 40	
	Adapter for forcing screw (with notches)	FCWH 40V	
	Fixing screw (with notches)	FCWU 40V	

