

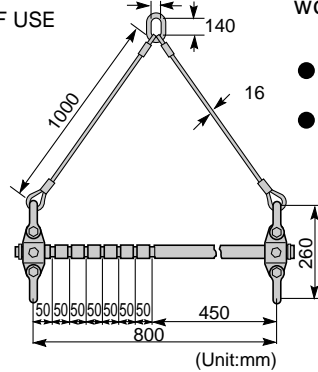


BALANCE (Adjustable span type with ring and upper wire rope)

LSB 2H



EXAMPLE OF USE



Balance for the stable lifting and handling of long work pieces.

FEATURES

- When lifting a long work piece use this balance together with lifting clamps.
- This balance can be adjusted to suit long work pieces with its eight different span settings ranging from 450 to 800 mm.

SPECIFICATIONS

Item No.	Rated capacity (kg)	Span setting (mm)	Span setting (mm)
LSB 2H	2000	450·500·550	20
		600·650·700	
		750·800	