

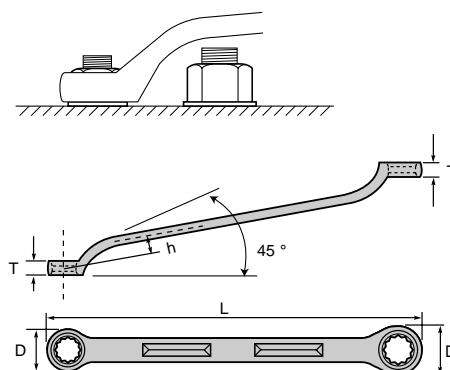
45 DEGREE-SLANTED DOUBLE OFFSET WRENCH

DL 5.57 ~ 5055

45° angle prevents collision with surrounding materials.

Lightweight design and strength for loads over the JIS standard.

Received JIS accreditation in 1960.



(Unit: mm)

Item No.	Size	L	D		T		h	Weight (g)	Remarks
			Small	Large	Small	Large			
DL 5.57	5.5 × 7	131	10.0	13.0	5.0	5.5	9.5	30	
DL 67	6 × 7	131	10.0	13.0	5.0	5.5	9.5	30	
DL 68	6 × 8	131	10.0	13.0	5.0	5.5	9.5	30	
DL 89	8 × 9	173	13.0	14.5	5.5	6.0	10.5	50	
DL 810	8 × 10	173	13.0	16.5	5.5	6.5	10.5	55	
DL 1012	10 × 12	198	16.5	19.5	6.5	7.5	11.0	75	
DL 1013	10 × 13	198	16.5	21.0	6.5	8.0	11.0	90	
DL 1113	11 × 13	200	18.0	21.0	7.0	8.0	11.0	95	
DL 1214	12 × 14	221	19.5	22.5	7.5	8.5	11.5	110	
DL 1317	13 × 17	250	21.0	27.0	8.0	9.5	12.5	150	
DL 1417	14 × 17	250	22.5	27.0	8.0	9.5	12.5	155	
DL 1719	17 × 19	283	27.0	30.0	9.5	10.0	13.5	230	
DL 1721	17 × 21	300	27.0	33.0	9.5	11.0	14.5	270	
DL 1921	19 × 21	300	30.0	33.0	10.0	11.0	14.5	285	
DL 1922	19 × 22	302	30.0	34.5	10.0	11.5	15.0	285	
DL 1924	19 × 24	314	30.0	37.5	10.0	12.5	15.0	335	
DL 2123	21 × 23	314	33.0	36.0	11.0	12.0	15.0	350	
DL 2126	21 × 26	346	33.0	39.0	11.0	13.0	16.5	430	
DL 2224	22 × 24	316	34.5	37.5	11.5	12.5	15.0	335	
DL 2227	22 × 27	337	34.5	40.0	11.5	13.5	16.5	445	
DL 2326	23 × 26	348	36.0	39.0	12.0	13.0	16.5	450	
DL 2427	24 × 27	348	37.5	40.0	12.5	13.5	16.5	460	
DL 2430	24 × 30	388	37.5	46.5	12.5	14.0	17.5	605	
DL 2629	26 × 29	388	39.0	45.0	13.0	14.0	17.5	640	
DL 2632	26 × 32	394	39.0	49.5	13.0	15.0	17.5	665	
DL 2730	27 × 30	388	40.0	46.5	13.5	14.0	17.5	620	
DL 2732	27 × 32	395	40.0	49.5	13.5	15.0	17.5	690	
DL 2932	29 × 32	397	45.0	49.5	14.0	15.0	17.5	680	
DL 3032	30 × 32	397	46.5	49.5	14.0	15.0	17.5	700	
DL 3036	30 × 36	431	46.5	55.0	14.0	16.0	20.0	880	
DL 3235	32 × 35	431	49.5	54.0	15.0	16.0	20.0	830	
DL 3236	32 × 36	431	49.5	55.0	15.0	16.0	20.0	850	
DL 3541	35 × 41	458	54.0	63.0	16.0	18.5	23.5	1,220	
DL 3641	36 × 41	458	55.0	63.0	16.0	18.5	23.5	1,250	
DL 4146	41 × 46	492	63.0	70.5	18.5	20.5	25.5	1,440	
DL 4650	46 × 50	539	70.5	76.5	20.5	22.0	27.5	1,860	
DL 5055	50 × 55	575	76.5	84.0	22.0	23.5	29.5	2,530	

⊗ The sizes without the JIS mark attached are those of non-JIS standard