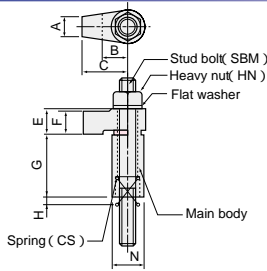




HOOK CLAMP

A-type

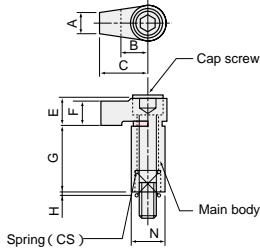


Hook can be automatically raised when the clamp with a spring inside is loosened.

(Unit:mm)

Item No.	A	B	C	E	F	G	N ⁺⁰ _{-0.05}	Stroke H	Stud bolt	Heavy nut	Weight (g)	Remarks
HCA 1	12	12	23	13	12	20	16	6	SBM850	8MHN	80	
HCA 2	16	16	31	16	15	39	22	6	SBM12100	12MHN	250	
HCA 3	17	23	42	22.5	21	58.5	28	7	SBM16125	16MHN	570	
HCA 4	20	35	50	29	20	59	28	7	SBM16150	16MHN	740	

B-type

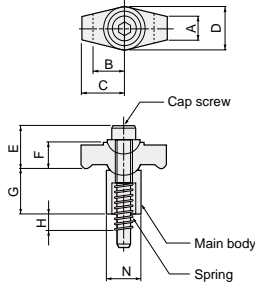


Hook can be automatically raised when the clamp with a spring inside is loosened.

(Unit:mm)

Item No.	A	B	C	E	F	G	N ⁺⁰ _{-0.05}	Stroke H	Cap screw	Weight (g)	Remarks
HCB 1	12	12	23	13	12	20	16	6	M 8 x 40	100	
HCB 2	16	16	31	16	15	39	22	6	M12 x 70	210	
HCB 3	17	23	42	22.5	21	58.5	28	7	M16 x 90	500	
HCB 4	20	35	50	29	20	59	28	7	M16 x 100	640	

D-type



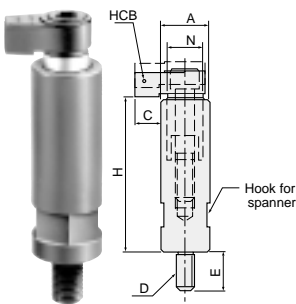
Hook can be automatically raised when the clamp with a spring inside is loosened.

(Unit:mm)

Item No.	A	B	C	D	E	F	G	N ⁺⁰ _{-0.05}	Stroke H	Cap screw	Weight (g)	Remarks
HCD 06	10	13.2	18	18	18	11	19.2	14	7	M 6 x 45	60	
HCD 08	12	14.1	20	20	22	13	20.1	16	7	M 8 x 50	100	
HCD 10	14	17.5	25	24	26	15	29.3	20	7	M10 x 65	190	
HCD 12	16	22.5	30	28	32	20	39.1	22	7	M12 x 80	300	
HCD 16	18	29.1	40	36	43.5	25.5	58.7	28	7	M16 x 110	710	

HOOK CLAMP STAND SET

B-type set



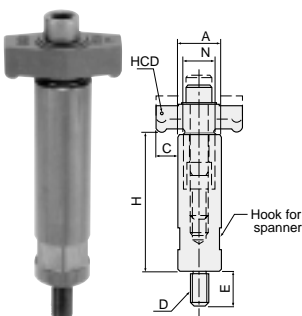
(Unit:mm)

Item No.	A	C	D	E	N	Stroke H	Hook clamp	Weight (g)
HCBS210012	30	16	M 12 (1.75)	24	22	96-102	HCB 2	0.61
HCBS211012	30	16		24	22	106-112		0.66
HCBS212012	30	16		24	22	116-122		0.72
HCBS213012	30	16		24	22	126-132		0.76
HCBS214012	30	16		24	22	136-142		0.83
HCBS215012	30	16		24	22	146-152		0.88
HCBS310012	38	23	M 12 (1.75)	24	28	97.5-104.5	HCB 3	1.10
HCBS311012	38	23		24	28	107.5-114.5		1.16
HCBS312012	38	23		24	28	117.5-124.5		1.22
HCBS313012	38	23		24	28	127.5-134.5		1.28
HCBS314012	38	23		24	28	137.5-144.5		1.37
HCBS315012	38	23		24	28	147.5-154.5		1.40

(Unit:mm)

Item No.	A	C	D	E	N	Stroke H	Hook clamp	Weight (g)
HCBS210016	30	16	M 16 (2.0)	28	22	96-102	HCB 2	0.63
HCBS211016	30	16		28	22	106-112		0.68
HCBS212016	30	16		28	22	116-122		0.74
HCBS213016	30	16		28	22	126-132		0.79
HCBS214016	30	16		28	22	136-142		0.85
HCBS215016	30	16		28	22	146-152		0.90
HCBS310016	38	23	M 16 (2.0)	28	28	97.5-104.5	HCB 3	1.04
HCBS311016	38	23		28	28	107.5-114.5		1.09
HCBS312016	38	23		28	28	117.5-124.5		1.15
HCBS313016	38	23		28	28	127.5-134.5		1.20
HCBS314016	38	23		28	28	137.5-144.5		1.26
HCBS315016	38	23		28	28	147.5-154.5		1.31

D-type set



(Unit:mm)

Item No.	A	C	D	E	N	Stroke H	Hook clamp	Weight (g)
HCDS210012	30	15	M 12 (1.75)	24	22	96.1-103.1	HCD12	0.70
HCDS211012	30	15		24	22	106.1-113.1		0.75
HCDS212012	30	15		24	22	116.1-123.1		0.81
HCDS213012	30	15		24	22	126.1-133.1		0.86
HCDS214012	30	15		24	22	136.1-143.1		0.92
HCDS215012	30	15		24	22	146.1-153.1		0.97
HCDS310012	38	21	M 12 (1.75)	24	28	97.7-104.7	HCD16	1.31
HCDS311012	38	21		24	28	107.7-114.7		1.37
HCDS312012	38	21		24	28	117.7-124.7		1.43
HCDS313012	38	21		24	28	127.7-134.7		1.49
HCDS314012	38	21		24	28	137.7-144.7		1.58
HCDS315012	38	21		24	28	147.7-154.7		1.61

(Unit:mm)

Item No.	A	C	D	E	N	Stroke H	Hook clamp	Weight (g)
HCDS210016	30	15	M 16 (2.0)	28	22	96.1-103.1	HCD12	0.72
HCDS211016	30	15		28	22	106.1-113.1		0.77
HCDS212016	30	15		28	22	116.1-123.1		0.83
HCDS213016	30	15		28	22	126.1-133.1		0.88
HCDS214016	30	15		28	22	136.1-143.1		0.94
HCDS215016	30	15		28	22	146.1-153.1		0.99
HCDS310016	38	21	M 16 (2.0)	28	28	97.7-104.7	HCD16	1.25
HCDS311016	38	21		28	28	107.7-114.7		1.30
HCDS312016	38	21		28	28	117.7-124.7		1.36
HCDS313016	38	21		28	28	127.7-134.7		1.41
HCDS314016	38	21		28	28	137.7-144.7		1.47
HCDS315016	38	21		28	28	147.7-154.7		1.52

CLAMPING ELEMENTS