

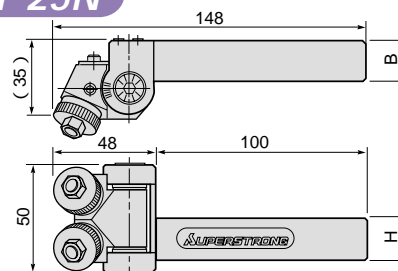


CUT KNURLING HOLDER (for Cross cut)

New Type

KH 2CN20N·25N

For NC lathe and versatile lathe



Knurling wheel is sold separately.

(Unit:mm)

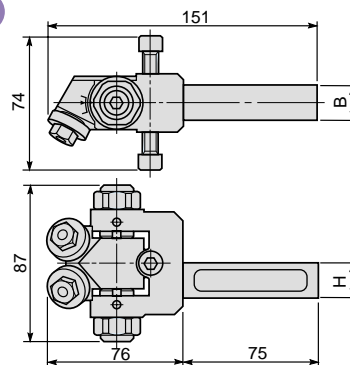


Item No.	H	B	Knurling range	Weight (g)	Applicable knurling wheel	Remarks
KH 2CN20N	20	20	3 ~ 250	650	KNC D2505 ~ D2520	
			18 ~ 250		KNC D2106 ~ D2115	
KH 2CN25N	25	25	3 ~ 250	840	KNC D2505 ~ D2520	
			18 ~ 250		KNC D2106 ~ D2115	

CUT KNURLING HOLDER (for Cross cut)

KH 2CN20·25

For NC lathe and versatile lathe



Knurling wheel is sold separately.

(Unit:mm)

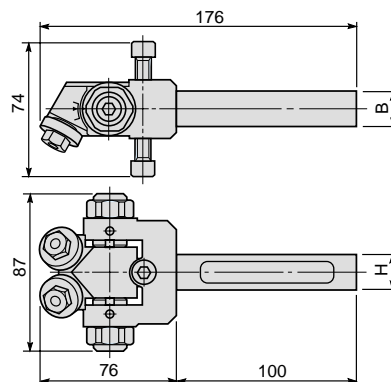


Item No.	H	B	Knurling range	Weight (g)	Applicable knurling wheel	Remarks
KH 2CN20	20	20	3 ~ 250	900	KNC D2505 ~ D2520	
			18 ~ 250		KNC D2106 ~ D2115	
KH 2CN25	25	25	3 ~ 250	1150	KNC D2505 ~ D2520	
			18 ~ 250		KNC D2106 ~ D2115	

CUT KNURLING HOLDER (for Cross cut) PAT.

KH 2CS20·25

For versatile lathe



Knurling wheel is sold separately.

(Unit:mm)



Item No.	H	B	Knurling range	Weight (g)	Applicable knurling wheel	Remarks
KH 2CS20	20	20	3 ~ 250	1000	KNC D2505 ~ D2520	
			18 ~ 250		KNC D2106 ~ D2115	
KH 2CS25	25	25	3 ~ 250	1250	KNC D2505 ~ D2520	
			18 ~ 250		KNC D2106 ~ D2115	