

EXTRACTING CLAMP for Pile-sheet

PVC 5 ~ 50

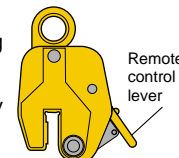
Clamp exclusively designed for extracting piled steel sheets.



Equipped with Remote control and releasing mechanisms

FEATURES

- When driving in a pile-sheets, this clamp can be used for preventing the neighbouring pile-sheets from toppling.
- After the pile-sheet is extracted, the clamp can be unlocked for easy detachment via the remote control with rope.
- The specially designed edges of the cam teeth provide a positive bite into the work piece.
- Additional attention was given to the design of the projecting components around the jaw section to make the clamp easy to attach to the pile-sheet.
- The thin body of the clamp allows use on "H" beams.



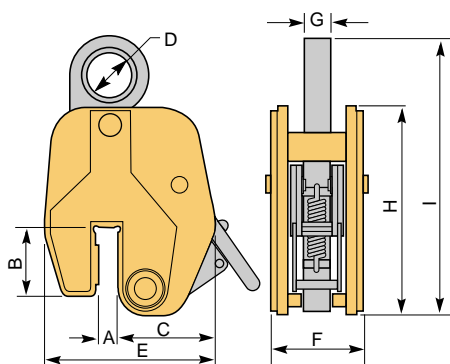
SPECIFICATIONS

Item No.	Rated capacity (ton)	Jaw opening (mm)	Weight (kg)	Remarks
PVC 5	5	0 ~ 25	30	
PVC 10	10	0 ~ 25	55	
PVC 15	15	0 ~ 30	70	
PVC 20	20	0 ~ 30	80	
PVC 30	30	0 ~ 30	150	
PVC 50	50	0 ~ 30	250	

DIMENSIONS TABLE

(Unit:mm)

Item No.	A	B	C	D	E	F	G	H	I
PVC 5	30	100	142	60	250	138	32	305	425 ~ 475
PVC 10	30	115	172	65	305	138	32	335	480 ~ 535
PVC 15	35	130	205	75	365	160	58	370	540 ~ 605
PVC 20	35	145	225	80	400	172	64	410	600 ~ 670
PVC 30	35	175	290	95	510	172	78	520	810 ~ 885
PVC 50	35	190	355	110	615	212	88	635	955 ~ 1040



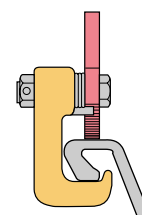
LIFTING CLAMP for Pile-sheet rim

YHC 500A · 500B

Clamp designed for piled steel sheets (YSP·FSP)

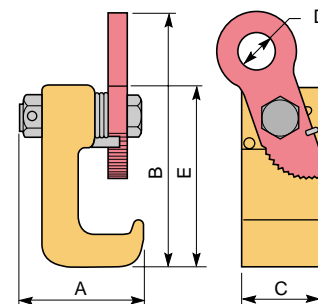
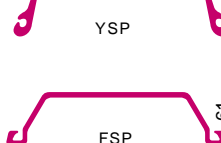
FEATURES

- For transporting, raising, and lifting of pile-sheets
- This highly efficient, compact and lightweight clamp will firmly attach to the rim of the pile-sheet.
- Two different types for pile-sheets; YSP and FSP.



2 pcs. set (for left · for right)

Pile-sheet type



(Use one left-side clamp and one right-side clamp together as a pair).

⚠ Always lift work pieces at 2 or more points for safety.

SPECIFICATIONS·DIMENSIONS TABLE

Item No.	Rated capacity (ton)	Applicable pile sheets	Dimensions (mm)					Weight (kg)
			A	B	C	D	E	
YHC 500A	1	FSP- ~	85	110	50	23	160	3.5
YHC 500B	1	YSP- ~	85	100	50	23	150	3.3

The rated capacities in the table is for a pair.