



# VERTICAL LIFTING CLAMP for Reinforcing rod



## TVC 1

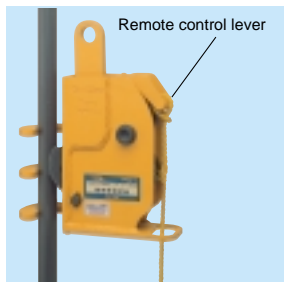


Equipped with Remote control and releasing mechanisms

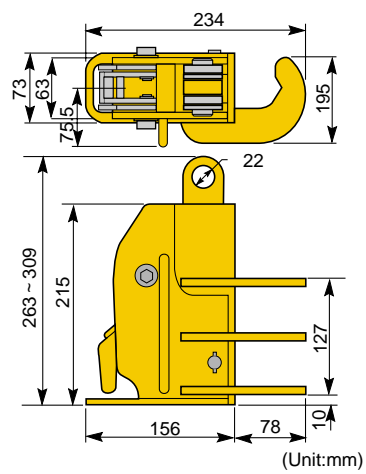
Optimal for assembling, pressure welding and extracting of reinforcing steel rods.

### FEATURES

- This clamp is for the safe vertical lifting and handling of pre-assembled reinforcing steel rods, irregular shaped steel bars and round bars.
- When the clamp is high out of reach, the centre lever type open lock can be operated with the remote control rope to lock the clamp into the open position.
- The special alloy steel cam is high-frequency quenched for maximum strength and durability.
- For smooth and easy remote control operation, the components projecting from the sides of the body have been kept as small as possible.
- When clamped onto a reinforced steel rod, the curved holding plates and the cam will generate a positive clamping force to securely hold the work piece.



When the rope supplied with the clamp is connected to the remote control lever, the clamp can be easily detached from the work piece by pulling the remote control rope to lock the clamp into the open position.



(Unit:mm)

### SPECIFICATIONS

Item No.	Rated capacity (ton)	Applicable diameters (mm)	Applicable types of reinforcing steel rods	Weight (kg)
TVC 1	1	16 ~ 41	D16 ~ D38	6.0

LIFTING CLAMPS FOR STEEL

# VERTICAL LIFTING CLAMP for Reinforcing rod (Double-lock type) PAT.P.



## TVC 1L3 · 1L5



Equipped with Remote control and releasing mechanisms

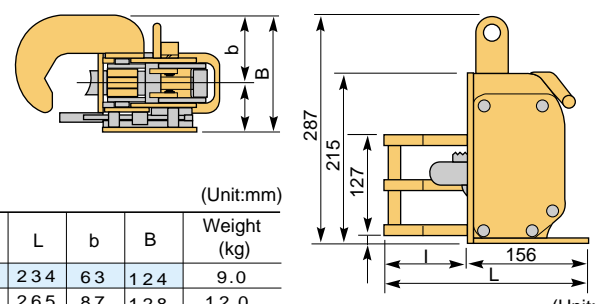
With the safety lever which prevents reinforcing rods from dropping off the clamp.

### FEATURES

- This clamp is for the safe vertical lifting and handling of pre-assembled reinforcing steel rods, irregular shaped steel bars and round bars.
- When the clamp is high out of reach, the center lever type open lock can be operated via the remote control rope to lock the clamp into the open position.
- The side stopper on the side of the body will engage when the remote control lever is moved to upward. The side stopper can prevent reinforcing rods from coming off due to pressure from the rods.
- The special alloy steel cam is high-frequency quenched for maximum strength and durability.

### EXAMPLES OF USE

1. When the remote control lever is moved to upward, the cam clamps a reinforcing rod and the side stopper engages simultaneously.
2. To release the reinforcing rod, move the stopper of the side stopper downward, then pull down the rope attached to the remote control lever.



(Unit:mm)

### SPECIFICATIONS · DIMENSIONS TABLE

Item No.	Rated capacity (ton)	Applicable diameters (mm)	Applicable types of reinforcing steel rods	(Unit:mm)				Weight (kg)
				l	L	b	B	
TVC 1L3	1	16 ~ 41	D16 ~ D38	78	234	63	124	9.0
TVC 1L5	1	35 ~ 55	D35 ~ D51	109	265	87	128	12.0