

FEATURES

- The spring type tightening lock mechanism assures a positive initial clamping force even under no-load condition.
- The clamping force increases in ratio with the weight of the load.
- The releasing of tightening lock mechanism with remote control avoids the dangerous operation of removing the clamps from the panel at high places. (with 1.5 meter of rope for remote control)
- One side of the urethane pads with spikes ensures a tight and safe clamping.
- One side with urethane rubber prevents the surface of panels from being damaged.

Always use this clamp in pair with a balance.



Remote control with a release mechanism



LIFTING CLAMP for Panel·Beam PAT.

PTC 150



Wide type

Clamping range : 60 ~ 140mm
 Rated capacity : 150kg/Pce.
 (Two clamps to be used as a pair)

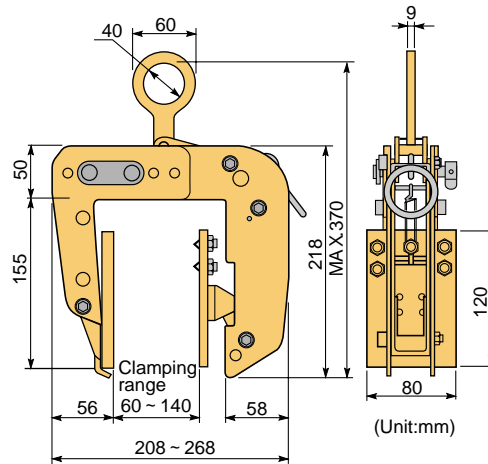
Item No. of set : PTC 150S

Optimal for lifting and installation of wooden panels, especially for 2 X 4 panels or lifting and movement of wooden beams for housing.
 Do not use these clamps for ALC, extrusion forming boards.

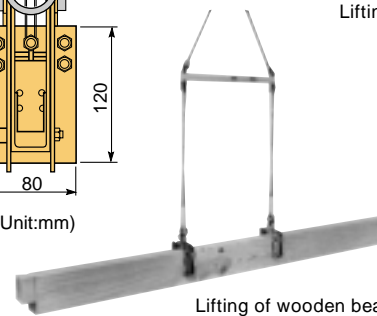
EXAMPLE OF USE



Lifting of wooden panels



(Unit:mm)



Lifting of wooden beam

Clamping range is adjustable in 4 phases according to the thickness of the panel.

LIFTING CLAMP for 2x4 panel PAT.

PTC 200

Optimal for 2 X 4 panels for housing. Wide type.

Clamping range : 35 ~ 135mm
 Rated capacity : 200kg/Pce.
 (Two clamps to be used as a pair)

Item No. of set : PTC200S

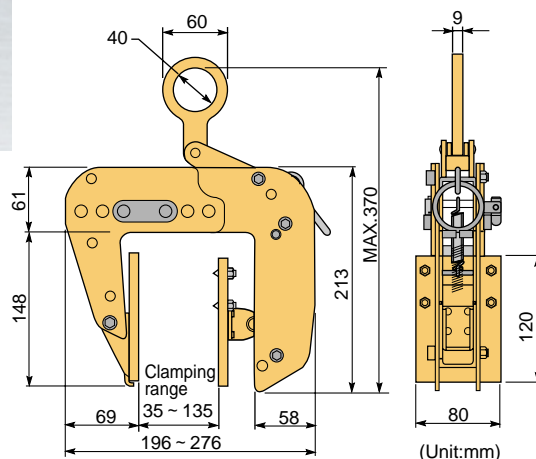
Optimal for lifting and installation of wooden panels, especially for 2 X 4 panels or lifting and movement of wooden beams for housing.
 Do not use these clamps for ALC, extrusion forming boards.

SPECIFICATIONS

Item No.	Rated capacity (kg)	Applicable range (mm)	Weight (kg)	Remarks
PTC150	150	60 ~ 80	3.6	
		80 ~ 100		
		100 ~ 120		
		120 ~ 140		
PTC 200	200	35 ~ 55	4.0	
		55 ~ 75		
		75 ~ 95		
		95 ~ 115		
		115 ~ 135		



Clamping range is adjustable in 5 phases according to the thickness of the panel.



(Unit:mm)

EXAMPLE OF USE

