



LIFTING CLAMP for Panel·Beam PAT.



Extra wide clamping type

Clamping range : 80 ~ 180mm
 Rated capacity : 250kg/Pce.
 (Two clamps to be used as a pair)

Item No. of set: PTC 250S

FEATURES

The spring type tightening lock mechanism assures a positive initial clamping force even under no-load condition.

The clamping force increases in ratio with the weight of the load.

The releasing of tightening lock mechanism with remote control avoids the dangerous operation of removing the clamps from the panel at high places. (with 1.5 meter of rope for remote control)

One side of the urethane pads with spikes ensures a tight and safe clamping.

One side with urethane rubber prevents the surface of panels from being damaged.

PTC 250

Optimal for lifting and installation of wooden panels, especially for 2 X 6 panel for housing.

Do not use these clamps for ALC, extrusion forming boards.

Clamping range is adjustable in 5 phases according to the thickness of the panel.



Remote control with a release mechanism



EXAMPLE OF USE



Lifting of wooden panel

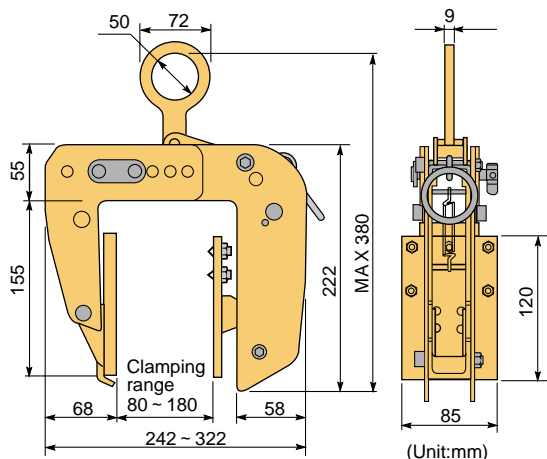
SPECIFICATIONS

Item No.	Rated capacity (kg)	Applicable range (mm)	Weight (kg)	Remarks
PTC 250	250	80 ~ 100	5.8	
		100 ~ 120		
		120 ~ 140		
		140 ~ 160		
		160 ~ 180		

⚠ Always use this clamp in pair with a balance.



Lifting of wooden beam



LIFTING CLAMP for Wooden beam (Double cam type) PAT.

BLC 200



Double-cam type

Clamping range : 105 ~ 120mm Rated capacity : 200kg/Pce. (Two clamps to be used as a pair)

Item No. of set: BLC 200S

Optimal for lifting and installation of wooden panels.

FEATURES

The spring type tightening lock mechanism assures a positive initial clamping force even under no-load condition.

The clamping force increases in ratio with the weight of the load.

The releasing of tightening lock mechanism with remote control avoids the dangerous operation of removing the clamps from the panel at high places. (with 2 meter of rope for remote control)



Remote control with a release mechanism

SPECIFICATIONS

Item No.	Rated capacity (kg)	Applicable range (mm)	Weight (kg)	Remarks
BLC 200	200	105 ~ 120	3.7	

⚠ Always use this clamp in pair with a balance.

EXAMPLE OF USE

