



LIFTING CLAMP for 2x4 panel PAT.P.

New series

PFC 250



Panel Lifting Clamp dedicated for lifting housing panels used for the Two-by-four method.

FEATURES

Attached with a lifting-lock and release-lock mechanism.

When the clamp is in the lifting-lock status, it will not open even without any load on it.

The lower part of the Clamp has a hole, so that there is no problem with clamping the work with its nails protruding.

Polyurethane rubber is attached to one side of the clamp so as not to damage the external surface of the panel.

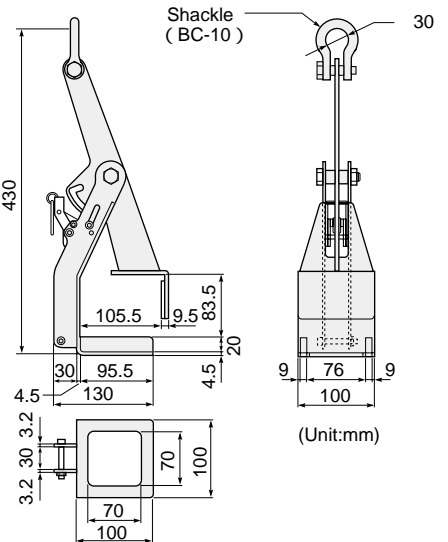
Remote-control operation of clamp-lock releasing and clamp-release locking is enabled.

EXAMPLE OF USE



Remote control with a release mechanism

Attached with a rope (1.5m x 2) for remote control operation.



SPECIFICATIONS

Item No.	Rated capacity (kg)	Clamping range (mm)	Weight (kg)	Remarks
PFC 250	250	100 x 80	3	

HORIZONTAL LIFTING CLAMP for ALC panel PAT.

UGC 200W



Clamping range : 80 ~ 180mm

Rated capacity : 200kg/Pce.(One clamp to be used)

Optimal for lifting and installation for ALC floor panels.

FEATURES

Easy to transport and install the floor panel and lids for U-shaped gutters.

Clamping range is adjustable by turning the handle according to the width of workpieces.

The tight clamping of the workpieces with the screw tightening lock ensures safe operation.

SPECIFICATIONS

Item No.	Rated capacity (kg)	Applicable range (mm)	Weight (kg)	Remarks
UGC 200W	200	450 ~ 610	18	

EXAMPLE OF USE

