

MOVABLE TYPE PAT.

JBC 1020C·2020C

Universal-joint type

Feature

You can freely move the crane on casters anywhere.

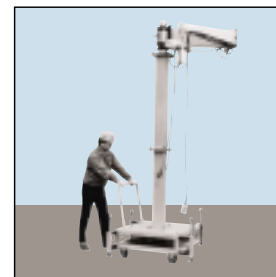
When in use, the outriggers are extended in the four different directions, so the crane will be well founded, enabling the execution of work with stability and safety.

Adaptive to Clean Room specifications

The central joint of the arm can be turned 180 degrees to the right or to the left, effectively securing a wide range of working area.

When there is no obstacle around, it is possible to turn the arm for 360 degrees, which provides a wide range of working area.

This crane is very convenient, as it is usable at whatever place when in need.

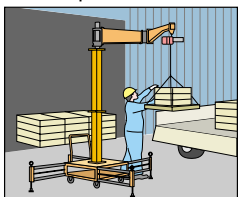


To be moved with ease.
(When carrying the crane to any other place, never fail to fold the arm and fix it temporarily.)

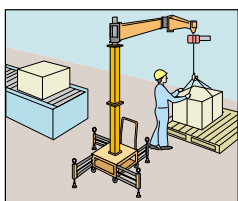
⚠ Do not move the crane with a work lifted

⚠ When you use the crane, never fail to extend the legs of the outriggers to the four different directions so as to provide stability.

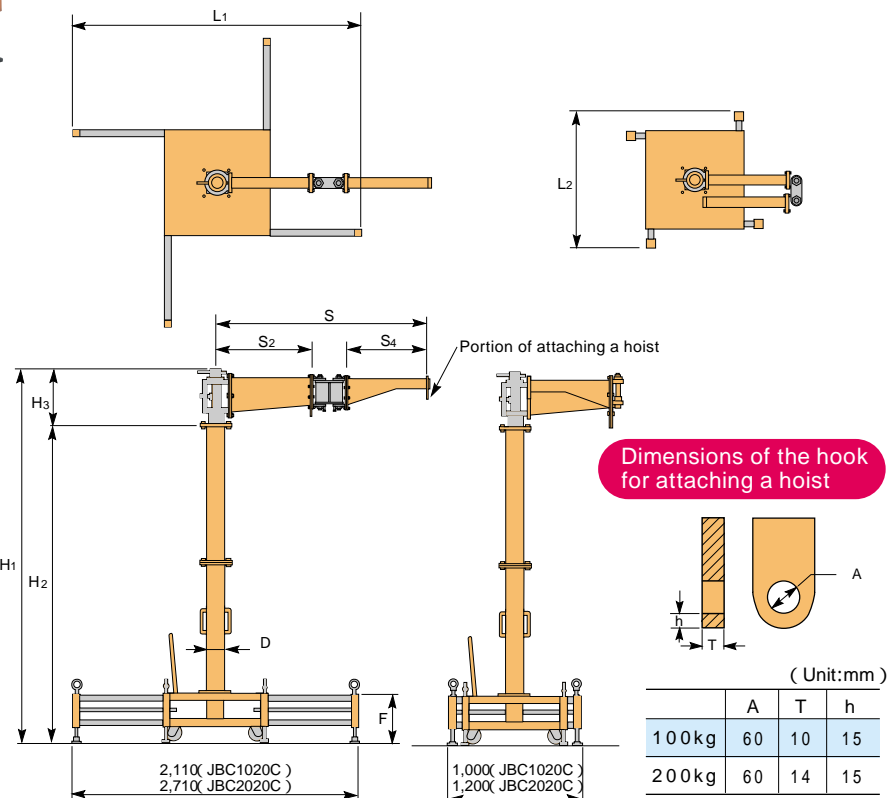
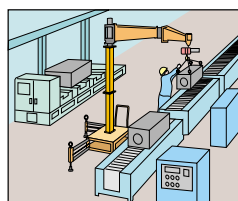
Example of use



For loading and unloading of goods to and from the truck



For loading and unloading of products in the factory



Dimensions of the hook for attaching a hoist

(Unit:mm)

	A	T	h
100kg	60	10	15
200kg	60	14	15

SPECIFICATIONS·DIMENSIONS TABLE

(Unit:mm)

Item No.	Rated capacity (kg)	Lifting height (m)	H ₁	H ₂	H ₃	S	S ₂	S ₄	D	F	Weight (kg)	Remarks
JBC 1020C	100	3.0	3,263	2,863	400	1,987	915	800	150	405	434	
JBC 2020C	200	3.0	3,253	2,773	480	1,966	882	750	175	455	651	

Equipment with a load sensor

Item No.	Remarks
JBC 1020CS	
JBC 2020CS	

New series

Apart from the indicated specifications, we will provide custom-ordered products according to the user's needs. You will be separately charged for freight and installation.