

# ALUMINUM PORTABLE GATE-TYPE CRANE

## PMC 480A· 1000A



⚠ Do not move the crane with the work lifted.

### Feature

- Light and rigid
- Easy assembly and disassembly
- Easy carriage and movement
- Equipped with casters and a geared trolley for movement
- Adaptive to Clean Room specifications

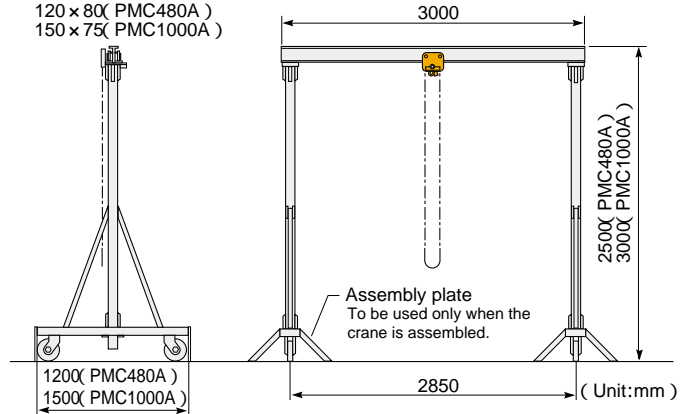
Optimal for the workshop with no crane equipment in it.

New series

Upon request we will provide a beam of your required length (span).

Dimensions of upper shaped steels

- 120 x 80 ( PMC480A )
- 150 x 75 ( PMC1000A )



### SPECIFICATIONS

Item No.	Rated capacity (kg)	Lifting height (m)	Weight (kg)	Remarks
PMC 480 A	480	2.3	87	
PMC 1000 A	1,000	2.8	108	

Assembly is to be made by the user.  
You will be separately charged for freight and installation.

# PORTABLE GATE-TYPE CRANE

## PMC 480· 1000



⚠ Do not move the crane with the work lifted.

Assembly is to be made by the user.

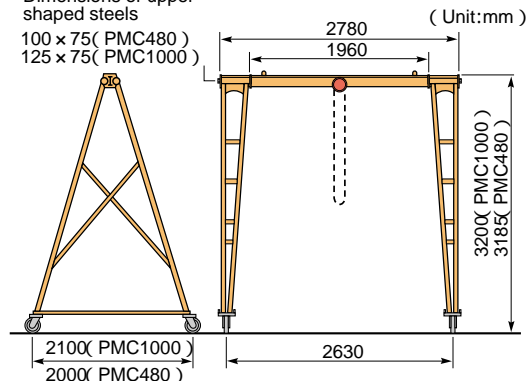
Optimal for the workshop with no crane equipment in it.

### Feature

- This crane can be assembled, disassembled, moved by a small number of people, so with this there will be no need for crane equipment.
- Equipped with casters and a geared trolley for movement.

Dimensions of upper shaped steels

- 100 x 75 ( PMC480 )
- 125 x 75 ( PMC1000 )

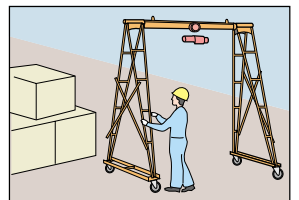


### SPECIFICATIONS

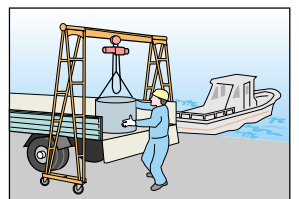
Item No.	Rated capacity (kg)	Lifting height (m)	Weight (kg)	Remarks
PMC 480	480	3	320	
PMC 1000	1,000	3	360	

Apart from the indicated specifications, we will provide custom-ordered products according to the user's needs.  
You will be separately charged for freight and installation.

### Example of use



You can move the crane on casters to any other desired place.



Movement of the hoist to the right or to the left can be made smoothly by the geared trolley. (Trolley is attached with the Unit.)