



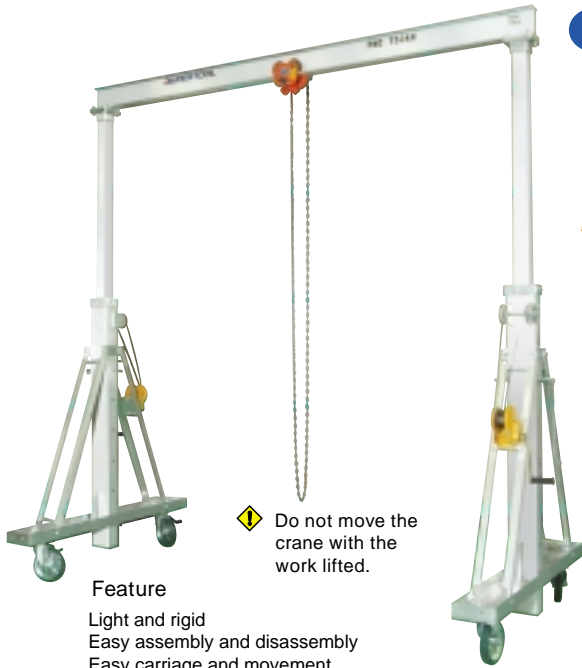
# ALUMINUM PORTABLE GATE-TYPE CRANE (Telescope type)

## PMC 750AN

Optimal for the workshop with no crane equipment in it.

The gate is manually raised or lowered (5-stepped adjustment), and the Unit can be compactly stored and easy to handle.

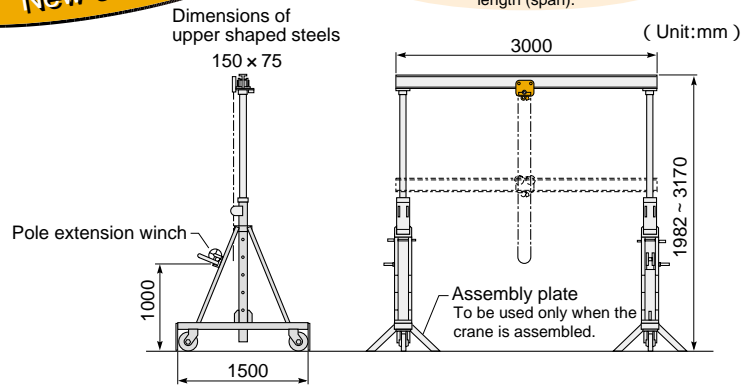
**New series**



⚠ Do not move the crane with the work lifted.

### Feature

- Light and rigid
- Easy assembly and disassembly
- Easy carriage and movement
- Equipped with casters and a geared trolley for movement
- Adaptive to Clean Room specifications



### SPECIFICATIONS

Item No.	Rated capacity (kg)	Lifting height (m)	Weight (kg)	Remarks
PMC 750AN	750	2 ~ 3	166	

Assembly is to be made by the user.  
You will be separately charged for freight and installation.

# PORTABLE GATE-TYPE CRANE (Telescope type)

## PMC 480BN· 1000BN

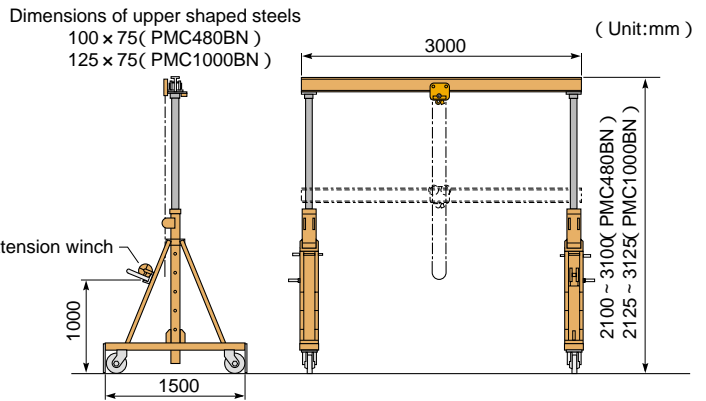
Optimal for the workshop with no crane equipment in it.



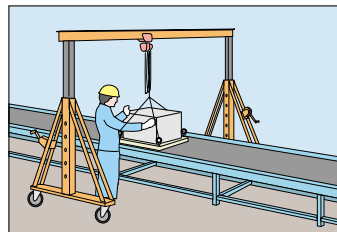
⚠ Do not move the crane with the work lifted.

### Feature

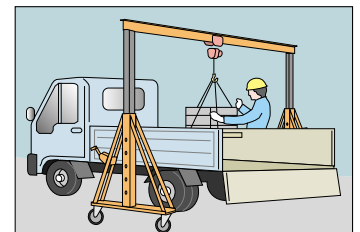
- The gate is manually raised or lowered, and the Unit can be compactly stored and easy to handle.
- Equipped with casters and a geared trolley for movement
- Adaptive to Clean Room specifications



### Example of use



Lifting height is adjustable according to the conditions of the site. (5-stepped adjustment)



You can move the crane on casters to any other desired place. Movement of the hoist to the right or to the left can be made smoothly by the geared trolley. (Trolley is attached with the Unit.)

### SPECIFICATIONS

Item No.	Rated capacity (kg)	Lifting height (m)	Weight (kg)	Remarks
PMC 480BN	480	2 ~ 3	205	
PMC 1000BN	1000	2 ~ 3	215	

Assembly is to be made by the user.

Apart from the indicated specifications, we will provide custom-ordered products according to the user's needs. You will be separately charged for freight and installation.