

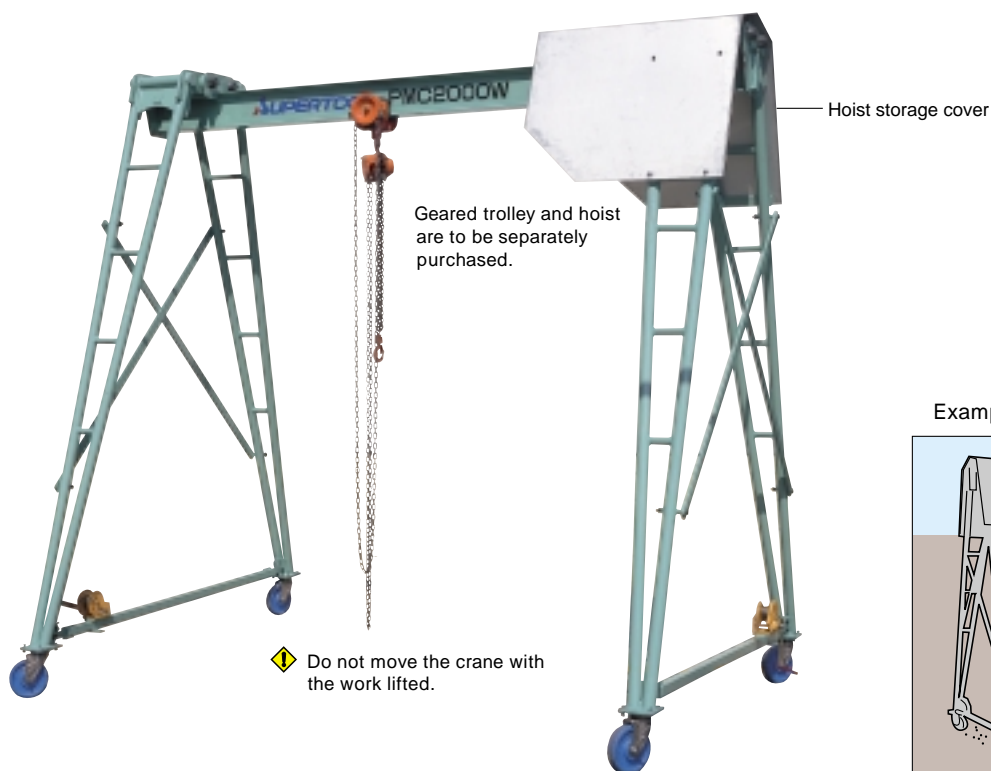
PORTABLE GATE-TYPE CRANE (Wide type) (Customized products)

PMC 1000W· 2000W

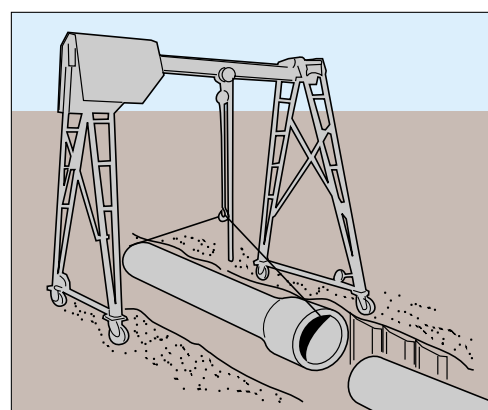
Optimal for the workshop with no crane equipment in it.

Feature

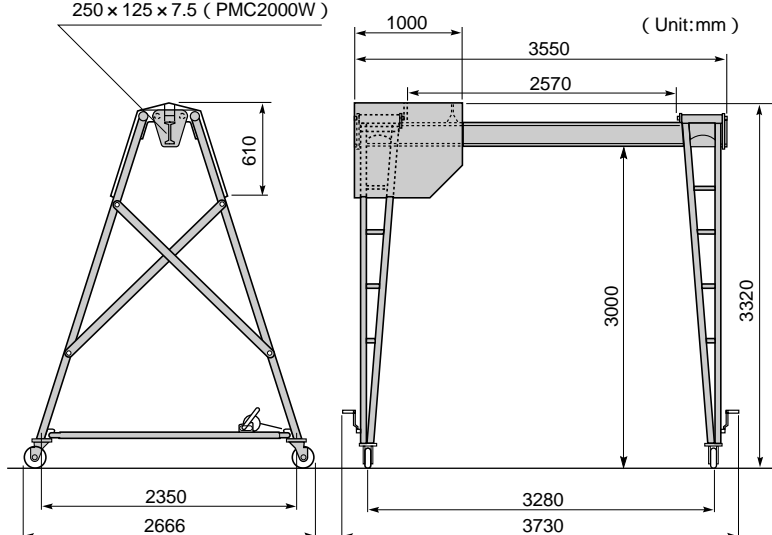
The trolley for attaching a hoist (or an electric chain block) can be widely moved to both ends of the I-shaped steel. Equipped with casters for movement and a winch for assembly



Example of use



Dimensions of upper shaped steels
200 × 100 × 7 (PMC1000W)
250 × 125 × 7.5 (PMC2000W)



STANDARD SPECIFICATIONS

Item No.	Rated capacity (kg)	Lifting height (m)	Weight (kg)	Remarks
PMC 1000W	1,000	3	400	
PMC 2000W	2,000	3	450	

Cautions

The values of Rated Capacities include the weights of a hoist and a hanger. (The weight of the work is calculated by reducing the weights of a hoist and a hanger from rated capacity.)

Assembly is to be made by the user. (You will be separately charged, if you order us for an assembly.)

Hoist is to be separately purchased. (Use a hoist that meets the capacity, lifting height, and the dimensions of the hook for attachment.)

The lifting height will be reduced, if a hoist is attached.

You will be separately charged for a freight and installation.