

## GEAR PULLER, G Type



- The reaching range of the claws can be expanded by shifting one hole type to two or three holes types.
- The steel ball installed in the adaptor significantly reduces friction.

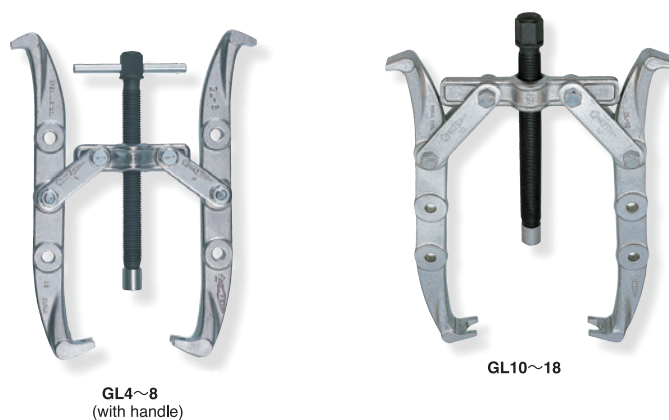
(mm)

Item No.	D		t When D is Max.	H	S	B	A	Breaking load (kN)	N.W. (kg)	Applicable adaptor
	Min.	Max.								
G 3	40	75	30	55	3.5	14	12	20	0.4	
G 4	50	100	45	100	4.1	17	14	40	0.8	GA 4N
G 6	60	150	60	150	5.3	19	18	60	1.9	GA 6N
G 8	80	200	100	240	6.7	22	22	80	3.8	GA 8N
G 10	100	250	120	250	7.4	30	28	100	6.0	GA10N
G 12	120	300	125	275	8.0	32	32	120	9.0	GA12N
G 15	150	375	130	320	8.7	41	38	150	11.0	GA15N
G 18	180	450	140	370	9.8	46	44	180	15.0	GA18N
G 24	280	600	175	575	17.5	46	44	240	45.0	GA24N

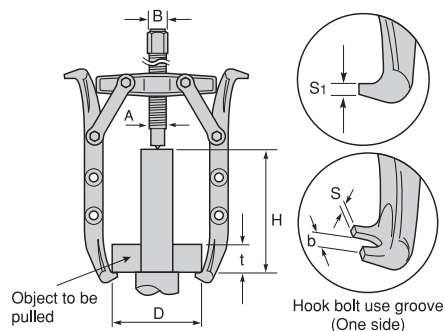
### Accessories

GP Oil (15g) : All sizes •Single-size ratchet wrench with grip: G 10~24 •Power pusher: G 15~24 •Handle for forcing screw: G 3~8  
H indicates the dimension when the forcing screw is lifted to the maximum point.

## GEAR PULLER, GL Type



- With the longer claw the reaching range can be expanded more than the G and 3-holes types.
- The groove width of the claw side is designed for hook bolts.(for BS)



(mm)

Item No.	D		t When D is Max.	H	b	S1	S	B	A	Breaking load (kN)	N.W. (kg)	Applicable adaptor
	Min.	Max.										
GL 4	50	100	60	150	10	4.1	5.8	17	14	40	1.0	GA4N
GL 6	60	150	70	190	12	5.3	6.7	19	18	60	2.3	GA6N
GL 8	80	200	100	275	16	6.7	7.4	22	22	80	4.4	GA8N
GL 10	100	250	125	300	18	7.4	8.0	30	28	100	7.0	GA10N
GL 12	120	300	170	350	20	8.0	8.7	32	32	120	10.0	GA12N
GL 15	150	375	185	400	24	8.7	9.8	41	38	150	13.0	GA15N
GL 18	180	450	200	440	27	9.8	10.8	46	44	180	16.0	GA18N

### Accessories

GP Oil (15g) : All sizes •Single-size ratchet wrench with grip: GL10~28 •Power pusher: G15~18  
H indicates the dimension when the forcing screw is lifted to the maximum point.