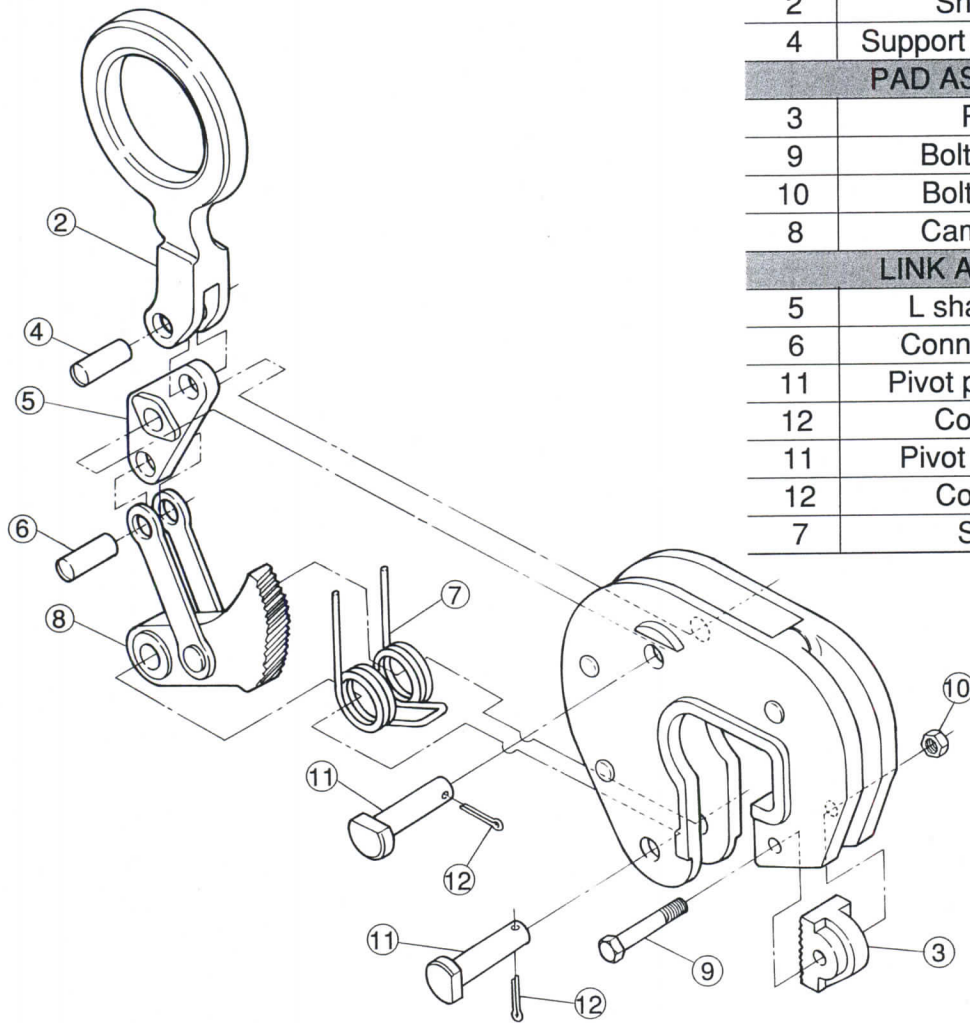


Replacement parts and fittings

Part No.	Part Name	Item No.
SHACKLE ASSEMBLY		DLH
2	Shackle	DLCH
4	Support pin for Shackle	DLCY
PAD ASSEMBLY		DLP
3	Pad	DLCP
9	Bolt for Pad	DLCN
10	Bolt for Nut	
8	Cam · Rod	DLT
LINK ASSEMBLY		DLL
5	L shaped link	DLCL
6	Connecting pin	DLCY
11	Pivot pin for Cam	DLCA
12	Cotter pin	
11	Pivot pin for link	DLB
12	Cotter pin	DLS
7	Spring	



Replacement procedure for cam and pad

Disassembling

A) PAD

1. Take out by loosening Bolt and Nut for pad.

B) CAM

1. Take out Cotter pin ⑫ from Pivot pin ⑪ on both shackle and cam sides.
2. Remove two Pivot pins in both shackle and cam sides form body.
3. Take out shackle, L-shaped link and cam (with rod) form body.
Then, remove Spring ⑦.

(The cam and rod cannot disassemble)

Reassembling

A) PAD

Tighten Bolt and Nut for pad after installed a new pad to the position correctly.

B) CAM

After installed Spring onto the hole of new cam side, re-assemble in the reverse order of disassembling.

Be sure that the spring is installed with the correct position as shown in the above Parts drawings.