

FLH1 Balance with hook for fork lift

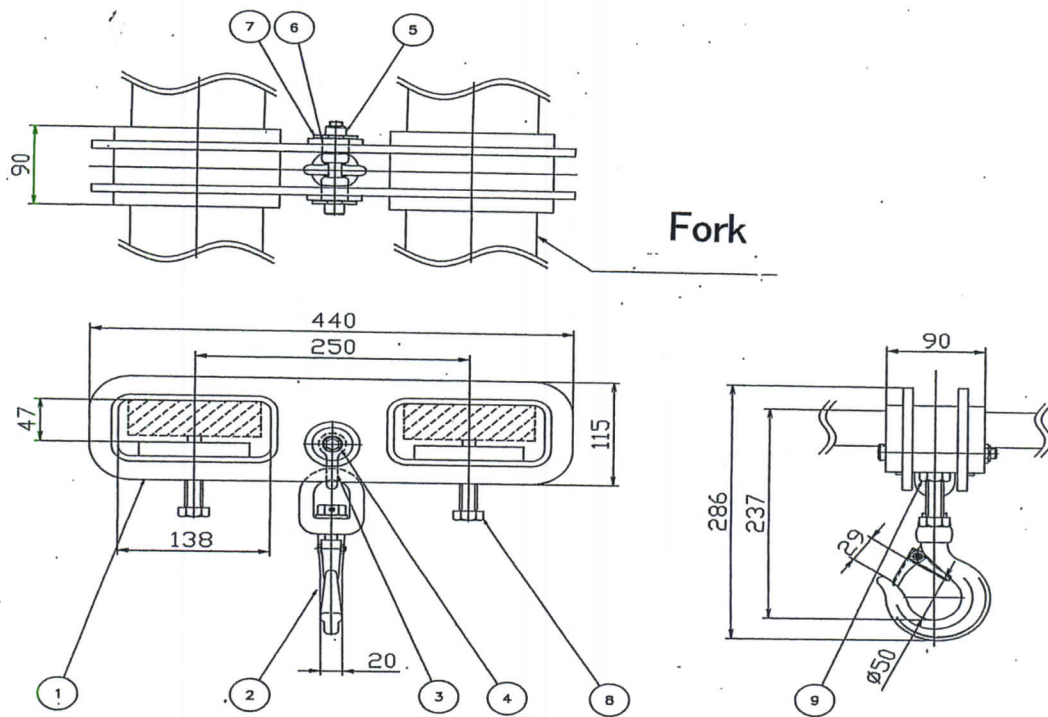
FEATURES

1. Attaching of the balance will change a fork lift to a mobile crane.
2. Only tighten the securing bolts to fix the balance.
3. The latch is attached to the swivel hook for omnidirectional-operation and is vibration-proof.

SPECIFICATIONS

Item No.	Rated capacity (ton)	Applicable fork (mm)		Net weight (Kg)
		Width	Thickness	
FLH1	1	70~120	15~40	12

MAJOR DIMENSIONS AND PARTS NAMES



Item No.	Parts Name	Qty
1	Body	1
2	Swivel hook	1
3	Shackle	1
4	Bolt for attaching a hook	1
5	Nut for attaching a hook	1
6	Collar	2
7	Washer	2
8	Securing bolt	2
9	Lock nut	2