

# Part name **SLH-N·SLH-S**

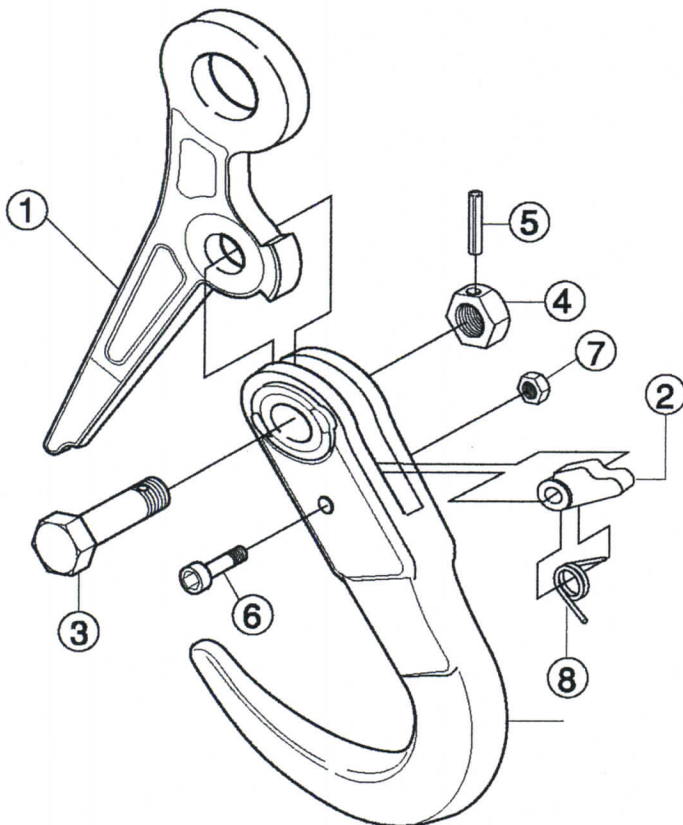
No.	Part name	Part reference No.	Quantity
1	Shackle	SLHH	1
2	Lever	SLHL	1
3	Shackle supporting bolt	SLHB	1 each
4	Shackle supporting nut		
5	Spring pin for shackle		
6	Lever supporting bolt	SLHC	1 each
7	U-shaped nut		
8	Spring	SLHS	1
※ 9	Swivel	SLHA	1
※ 10	Castle nut	SLHN	1 each
※ 11	Washer		
※ 12	Spring pin for swivel		

Note 1: At time of placing an order for part, write down nominal capacity and N or S after part reference No.

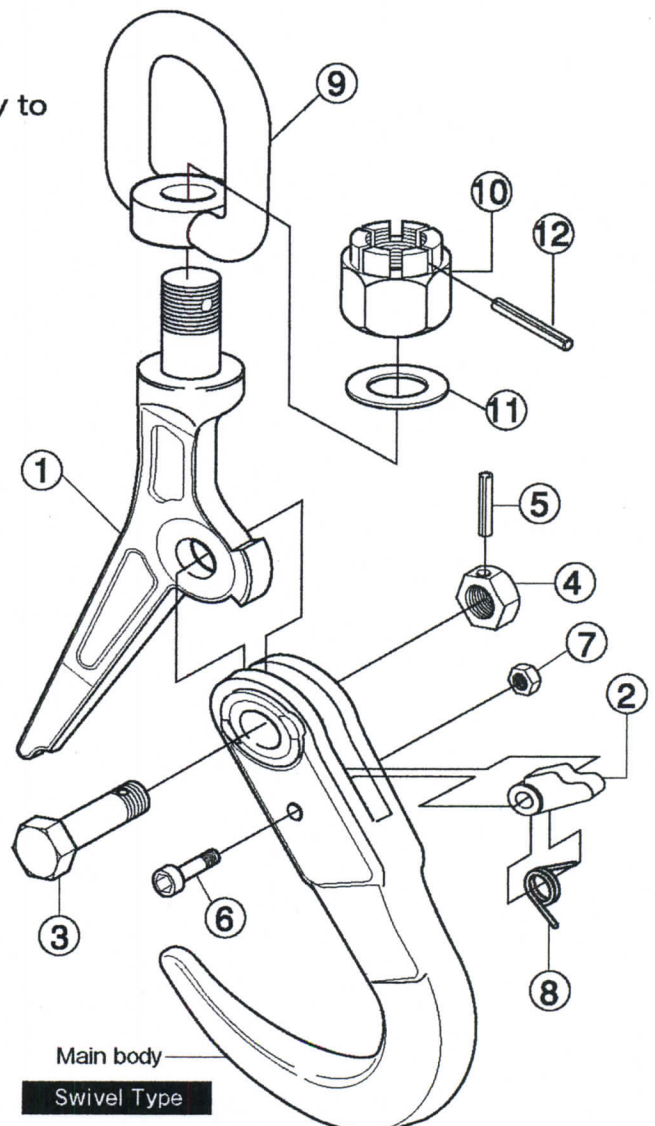
(Ex. SLHH2N for "Shackle for SLH2N")

(Ex. SLHL3S for "Lever for SLH3S")

Note 2: Parts with "※" mark are applicable only to Swivel Type.



Standard Type



Main body

Swivel Type