

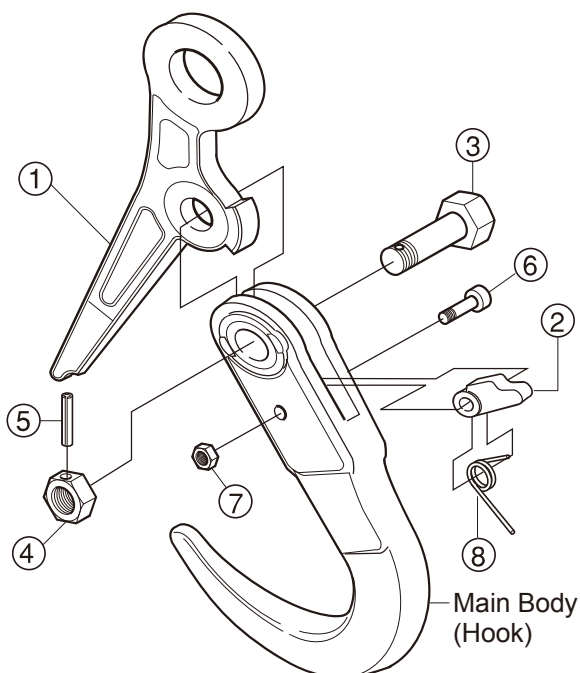
REPLACEMENT PARTS AND ASSEMBLIES

Part No.	Part Name	Item No.	Q'ty (pc)
※9	Swivel	SLHA	1
※	Castle Nut	SLHN	
※10	Castle Nut		1
※11	Washer		1
※12	Spring Pin (for Swivel)		1
1	Shackle	SLHH	1
	Support Bolt/Nut	SLHB	1
3	Support Bolt		1
4	Support Nut		1
5	Spring Pin		1
2	Lever	SLHL	
	Support Bolt	SLHC	
6	Support Bolt		1
7	U-Nut		1
8	Spring	SLHS	1

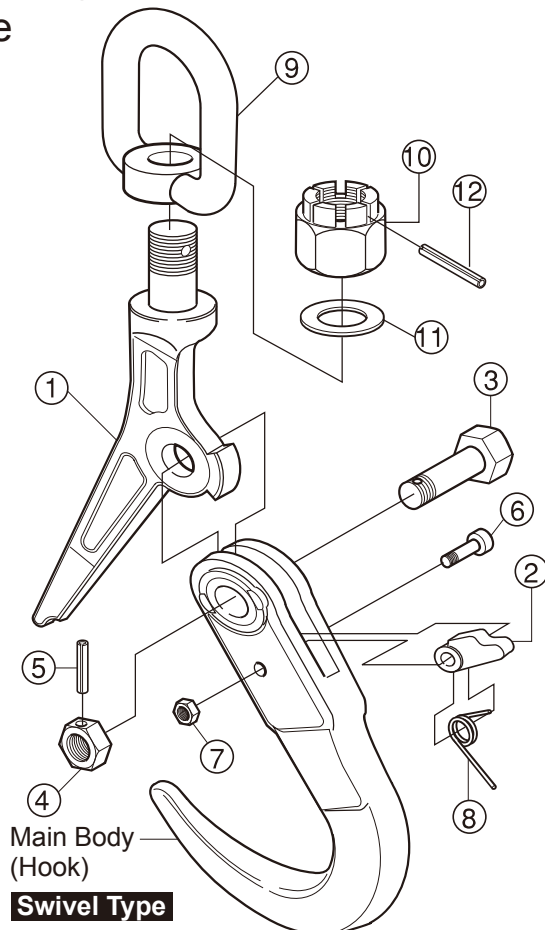
※1) When ordering, specify the rated capacity (ton) and with “N” or “S”.
(Example: Shackle for SLH2N is SLHH2N.)

(Example: Lever for SLH3S is SLHL3S.)

2) Parts marked with ※ are applicable only to the Swivel Type.



Standard Type



Swivel Type