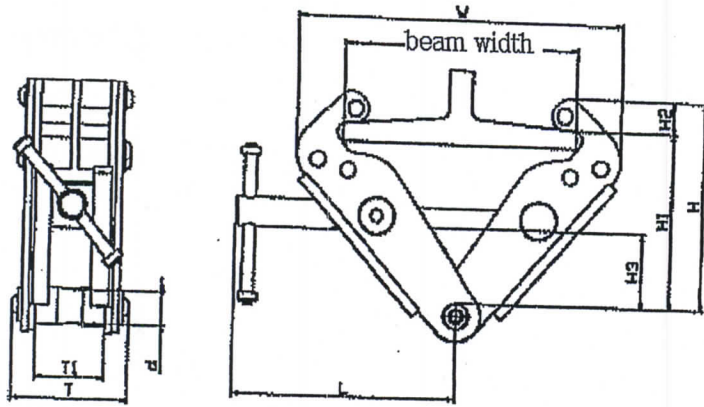


Dimensions and parts list for SBN



Item No.	W	L	H at Maximum	H1	H2	H3	T	T1	d
SBN-1	161~300	212	191	135~165	26	53~83	77	46	20
SBN-2	163~304	212	191	135~165	26	53~83	97	58	20
SBN-3	212~425	304	265	183~224	26~41	79~118	117	69	32
SBN-5	216~425	304	265	183~224	32~41	79~118	125	69	32

Item No.	Part Name	Q'ty
1	Body A	2
2	Body B	2
3	Wide width supporting rib	1
4	Narrow width supporting rib	1
5	Fixing Pin (Wide width supporting rib)	3
6	Fixing Pin (Narrow width supporting rib)	3
7	Button Bolt	14
8	Washer at rib fixing pin	12
9	Sliding screw	1
10	Wide collar	1
11	Narrow collar	1
12	Wide screw receptor	1
13	Locking screw	1
14	Washer	1
15	Narrow screw receptor	1
16	Supporting pin	1
17	Supporting pin collar	1
18	Supporting pin washer	2
19	Handle assembly	1
20	Spring pin	1

