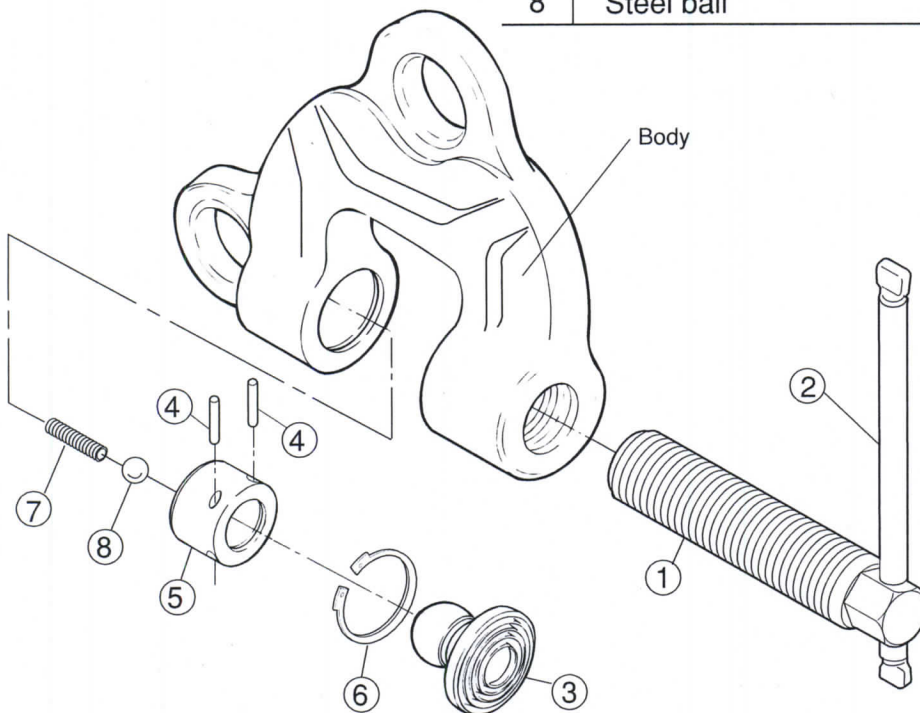


# REPLACEMENT PARTS AND FITTINGS

(Model : SDC-N · WN)

Parts No.	Parts Name	Item No.	Parts No.	Parts Name	Item No.
Screw assembly			assembly Cam		
1	Forcing screw	SDCR	3	Circular cam	SDT
2	Handle		4	Stopper pin	
		5	Cam holder		
		6	Retaining ring		
		7	Spring		
		8	Steel ball		



## REPLACEMENT PROCEDURE FOR CAM AND SCREW

### DISASSEMBLING

#### A) Screw

Turn the screw counterclockwise and remove it from the body.

#### B) Cam

- ① As shown in the drawing on the right, tilt the circular cam and remove the retaining ring with snap ring pliers. Next, remove the cam holder, steel ball, and spring from the body.
- ② Remove two stopper pins from the cam holder and detach the circular cam and the retaining ring.

