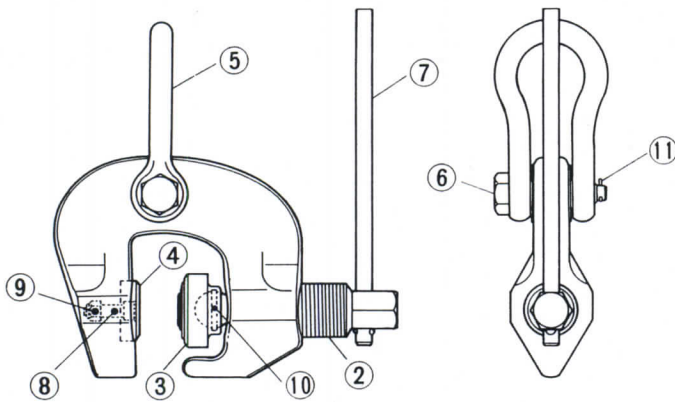


Replacement parts and fittings (Model : SCC · SCC-W)



Part No.	Part Name	Item No.
SHACKLE ASSEMBLY		SCH
5	Shackle	SCCH
6	Bolt for shackle	SCCN
11	Cotter pin	
3 · 10		SCCT
PAD ASSEMBLY		SCP
4	Pad	SCCP
8	Hex. socket head cap screw	SCCV
9	Nylon nut	
SCREW ASSEMBLY		SCR
2	Screw	SCCR
7	Handle	SCCU

Replacement procedure for cam and pad

● Disassembling

A) PAD

1. Take out by loosening the cap screw ⑧ and nut ⑨.

B) CAM

1. Turn back the screw ② and hit the rear part of the cam ③ slightly with a hammer.

● Reassembling

A) CAM

1. Stand the body toward pad side down. (Hold by a hand)
2. Replace the pad ④ upside down. In case of a short screw (SCC-W), insert a rest such as a round bar between the cam ③ and pad ④.
3. Place the cam ③ and a stop ring ⑩ on the center of the pad (or the rest).
4. Turn the screw ② until the cam sets in place.
5. Check the cam movement.

B) PAD

1. Set a new pad and tighten with the cap screw ⑧ and nut ⑨.