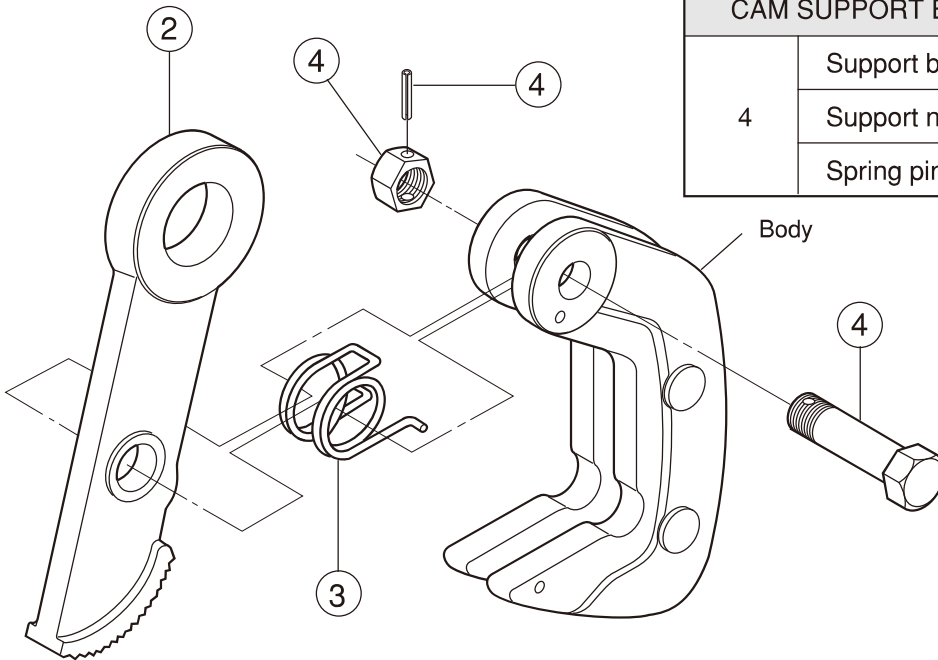


# Replacement parts and fittings (Model : HPC-N)

Part No.	Part Name	Item No.
2	Cam	HPCT
3	Spring	HPCS
CAM SUPPORT BOLT ASSEMBLY		HPCK
4	Support bolt for cam	
	Support nut for cam	
	Spring pin	



## Replacement procedure for cam

### Disassembling of cam

Pull out spring pin in nut side, and remove bolt and nut.

Then, pull out ends of spring from spring hole of body with edge of Screw Driver of links.

### Reassembling of cam

After installed spring onto cam, insert ends of spring into spring holes of body. Join bolt holes of cam and body in line. Then, insert bolt and tighten bolt and nut. After tightend and nut, insert spring pin into pin holes of nut and bolt.