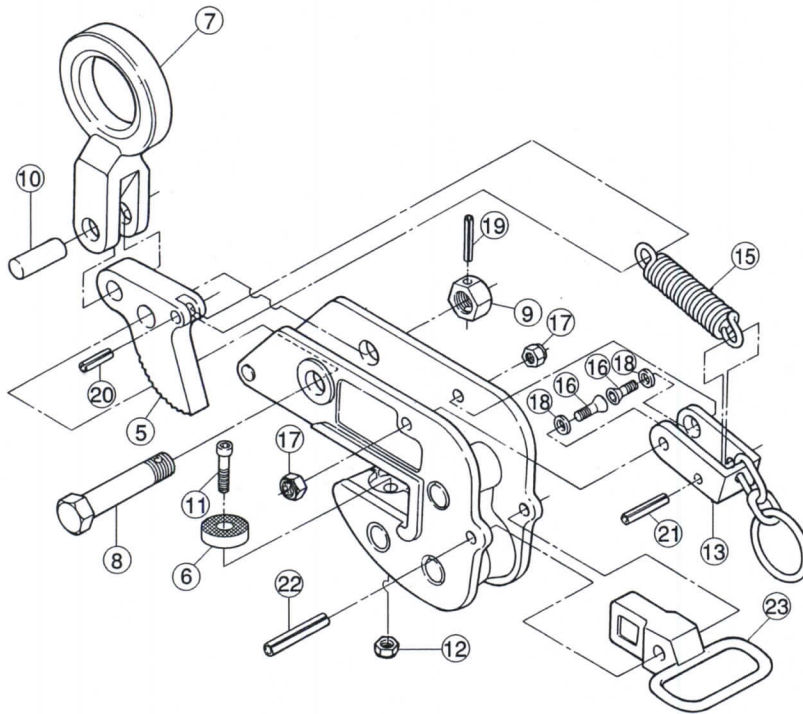


Replacement parts and fittings (Model:HLC-H)



Part No.	Part Name	Item No.
SHACKLE ASSEMBLY		
7	Shackle	HLCH
10	Support pin for shackle	HLCY
CAM ASSEMBLY		
5	Cam	HLCT
20	Spring pin	HLCR
8	Support bolt for cam	HLCN
9	Support nut for cam	
19	Spring pin	HLCO
PAD ASSEMBLY		
6	Pad	HLCP
11	Hex.socket head cap screw	HLCV
12	Nylon nut	
HANDLE ASSEMBLY		
13	U-handle	HLCU
16	Hex.socket flat head bolt	HLCK
17	U-nut	
18	Collar	HLCC
21	Spring pin	HLCO
15	Spring	HLCS
GRIP ASSEMBLY		
23	Grip	HLCG
22	Spring pin	HLCJ

Replacement procedure for cam and pad

Disassembling

A) PAD

Take out Pad ⑥ by loosening Nut ⑫ with a wrench holding Cap screw ⑪ with a key wrench after released lock.

B) CAM

Take out Cam support bolt ⑧ by loosening Cam support nut ⑨ after pulled out Spring pin ⑲ of Nut ⑨ . Then, remove Shackle ⑦ and Cam ⑤ from body and take out Spring pin ⑲ for Spring ⑮ after removed Shackle pin .

Reassembling

A) PAD and B) CAM

Reassemble in the reverse order after inserted new pad and cam to the position correctly.