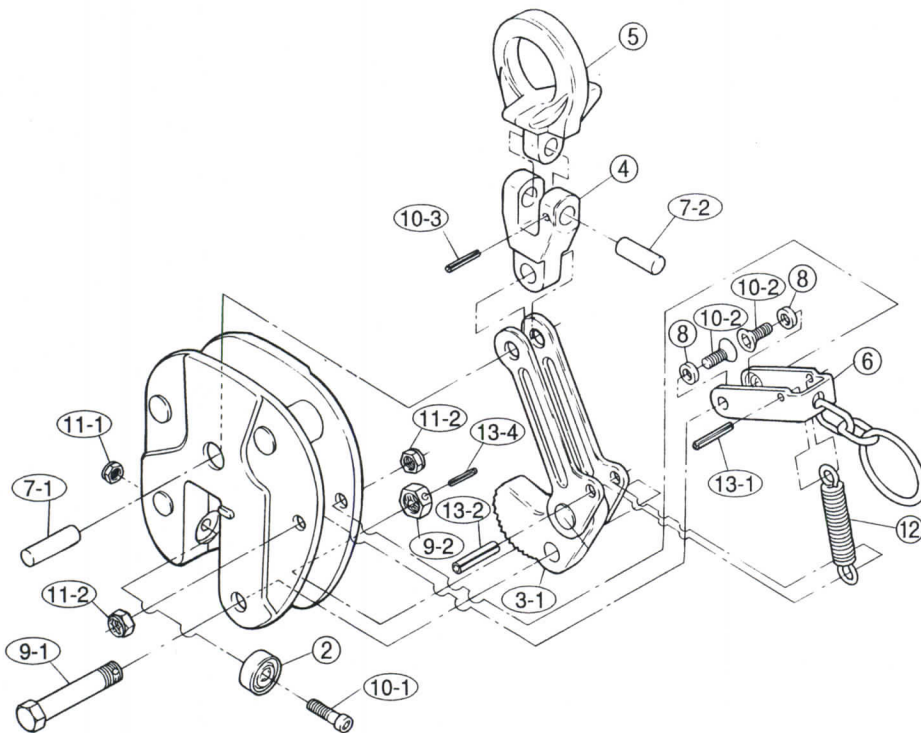


Replacement parts and fittings (Model:SVC-E)



Part No.	Part Name	Item No.
SHACKLE ASSEMBLY		SVH
4	Connector	SVCJ
5	Shackle	SVCH
7-1	Connecting pin(Long)	SVCY
7-2	Connecting pin(Short)	SVCX
13-3	Spring pin	SVCR
CAM ASSEMBLY		SVT
3-1	Cam · Link	SVCT
13-2	Spring pin	SVCU
CAM SUPPORT PIN ASSEMBLY		SVK
9-1	Support bolt for cam	SVCK
9-2	Support nut for cam	SVCK
13-4	Spring pin	SVCO
PAD ASSEMBLY		SVP
2	Pad	SVCP
10-1	Hex.socket head cap screw	SVCV
11-1	Nylon nut	SVCV
HANDLE ASSEMBLY		SVG
6	U-handle	SVCG
10-2	Hex. socket flat head bolt	SVCF
11-2	U-nut	SVCF
8	Collar	SVCZ
13-1	Spring pin	SVCQ
12	Spring	SVCS

Replacement procedure for cam and pad

Disassembling

A) PAD (2)

1. Take out by loosening Cap screw (10-1) and Nut (11-1).

B) CAM (3-1)

1. Pull out Spring pin (13-4) for Bolt (9-1) and Nut (9-2) .
2. Take out Bolt (9-1) and Nut (9-2) . Be sure Spring (12) is not tensed before taking out.
3. Detach Shackle (5) by pulling out Connecting pin (7-2) after taking out Spring pin (13-3) for Connector (4) .
4. Push down Connector (4) and push out Connector pin (7-1) with pin-punch or likes through small hole in the back-side of body after bringing Connecting pin (7-1) into line with hole of Main body .
5. Take out Connector (4) and Cam (7-1) . Pull out Spring pin (13-2) in Cam (3-1) side in order to take out Spring (12) .

Reassembling

A) PAD and (B) CAM

Assemble Pad (2) and Cam (3-1) with counter order of disassembly.