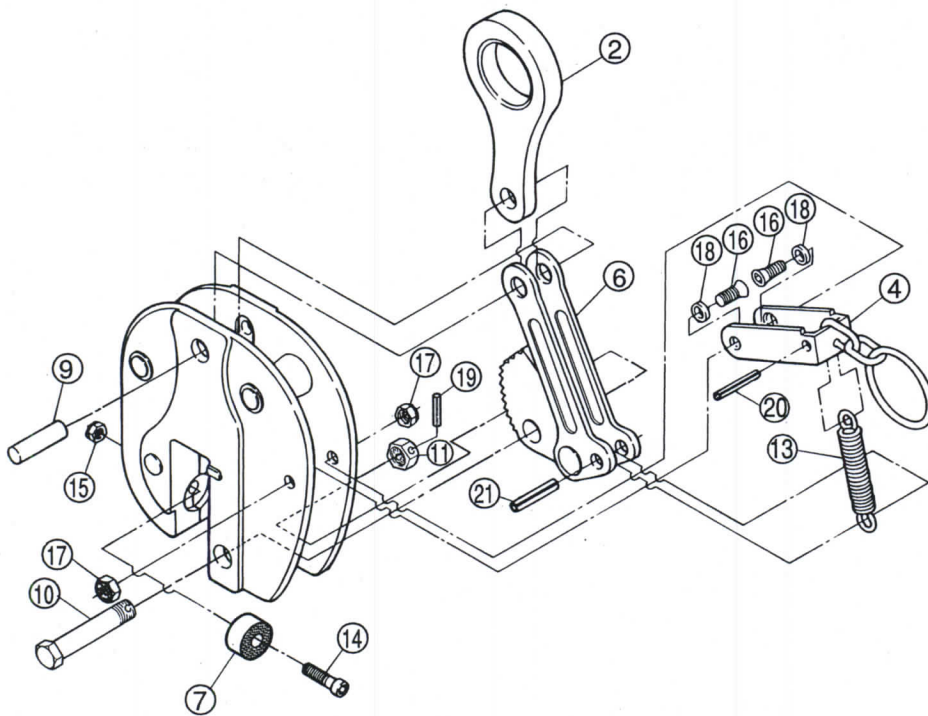


# Replacement parts and fittings (Model:SVC-H)



Part No.	Part Name	Item No.
<b>SHACKLE ASSEMBLY</b>		
2	Shackle	SVCH
9	Support pin for shackle	SVCY
<b>CAM ASSEMBLY</b>		
6	Cam · Link	SVCT
21	Spring pin	SVCU
<b>CAM SUPPORT PIN ASSEMBLY</b>		
10	Support bolt for cam	SVCK
11	Support nut for cam	
19	Spring pin	SVCO
<b>PAD ASSEMBLY</b>		
7	Pad	SVCP
14	Hex.socket head cap screw	SVCV
15	Nylon nut	
<b>HANDLE ASSEMBLY</b>		
4	U-handle	SVCG
16	Hex.socket flat head bolt	SVCF
17	U-nut	
18	Collar	SVCZ
20	Spring pin	SVCQ
13	Spring	SVCS

## Replacement procedure for cam and pad

### Disassembling

#### A) PAD

1. Take out by loosening Cap screw 14 and Nut 15.

#### B) CAM

1. Pull out the Spring pin 19 for Bolt 10 and Nut 11.
2. Take out Bolt 10 Nut 11.  
Be sure to keep the spring release.
3. Pull up the Shackle 2 and bring the shackle support pin 9 into line with hole of main body, and pull out the Pin 9.
4. Lay down the main body. Pull out the Spring pin 21 in the cam (link) side on its half way and take out the Spring 13.
5. Put Cam and Link 6 on the body and pull out the Spring pin.

### Reassembling

#### A) CAM

1. Install the Spring 13 to Cam and Link 6 with Spring pin 21 and insert them into the body.  
Check the Shackle support pin 9 fits into the Link 6.
2. Lay down the body setting the big hole side to up.
3. Line up the holes of Shackle 2 and Link 6, then insert the Shackle support pin 9 to the hole through the hole of body.
4. Take down the Shackle 2. Line up holes of Cam 6 and body, and insert Bolt 10.  
The set upright the body and tighten the Nut 11.
5. Strike the Spring pin 19 into the hole on Bolt 10 and Nut 11.

#### B) PAD

1. Insert a new pad into main body and tighten with the Cap screw 14 and Nut 15.