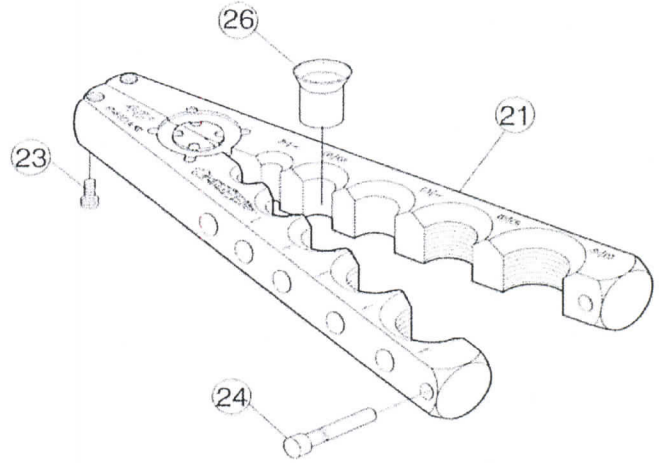
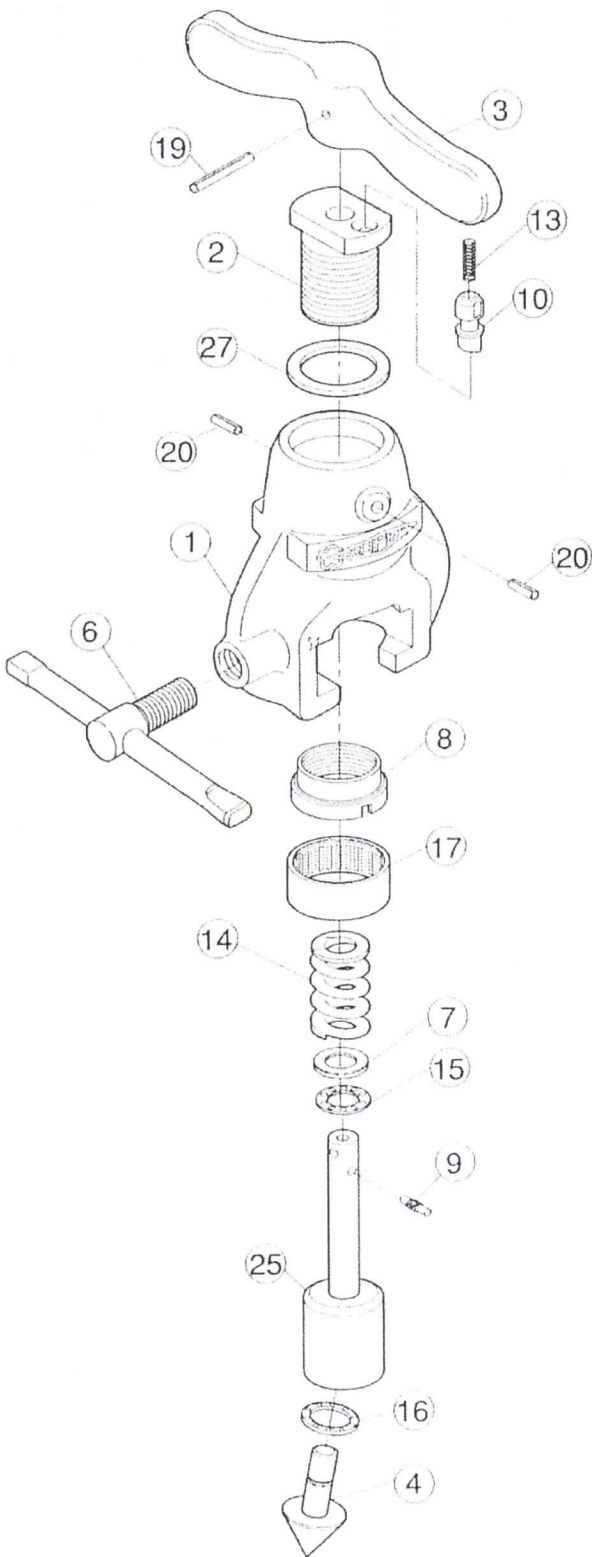


TFA455WH



Parts for TFA455WH

No.	Parts Name	Item No.	
1	Body York	—	
2	Feed Screw	TFF45	
3	Feed Handle	TFH45W	
4	Corn	TFC45	
6	Clamp Handle	TFCH45	
7	Thrust Washer	TFW45	
8	Female Thread	TFM45	
9	Plunger Pin	TFPP45	
10	Plunger	TFP45	
13	Coil Spring (small)	TFCS45	
14	Coil Spring (big)	TFCL45H	
15	Thrust ball bearing (small)	TFBS45	
16	Thrust ball bearing (big)	TFBL45	
17	Needle bearing (big)	TFNL45	
19	Spring Pin 3 x 25	TFSP325	
20	Spring Pin 3 x 7 (2pcs per set)	TFSP37	
23	Hex bolt M5 (2pcs per set)	TFNM5	
24	Positioning Pin	TFEP45	
25	Main Shaft (incl. Collar, Washer, Needle bearing 2pcs)	TFS45	
26	Protection pipe (3/8 hardness)	TFK45	
27	Ring for identification 2pcs(Pink, Red)	TFL45H	

21	Guage Bar 5 holes (for TFA455WH)	TFAG455N	
----	----------------------------------	----------	--