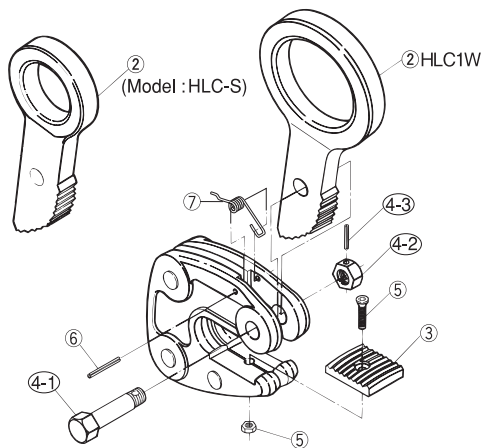


Replacement parts and fittings (Model: HLC-S, HLC1W)



No.	Part Name	Item No.
②	Cam (Model:HLC1W)	HLCT1W
②	Cam (Model:HLC-S)	HLCT-S
CAM SUPPORT BOLT ASSEMBLY		HLK
4-1	Support bolt for cam	HLCK
4-2	Support nut for cam	
4-3	Spring pin	
PAD (New Type) ASSEMBLY		HLA
③	Pad	HLCA
⑤	Bolt and nut for pad	HLCD
PAD (Old Type) ASSEMBLY		HLP
③	Pad	HLCP
⑤	Bolt and nut for pad	HLCN
SPRING ASSEMBLY		HLS
⑦	Spring	HLCS
⑥	Spring pin	HLCCQ

Replacement procedure for cam and pad

Disassembling and Reassembling of Cam

Pull out spring pin in nut side, and remove bolt and nut.

Then the cam is detached. Reassemble in the reverse order. (In this case, do not remove the spring pin for spring.)

Disassembling and Reassembling of Pad

Remove bolt and nut with socket wrench and hexagon wrench key, then pad may be easily disassembled or reassembled.

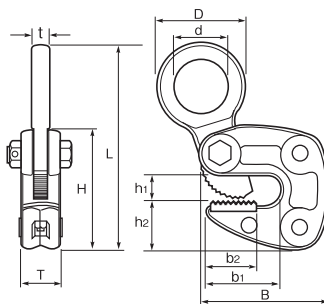
HLC-S HLC1W



HLC0.5S

HLC-S

HLC1W



Dimension in mm

ITEM No.	Capacity (tons)	Clamping range	L	t	T	H	h1	h2	B	b1	b2	D	d	Weight (kg)
HLC0.5S	0.5	1~13	139	14	31	97.5	25.5	34.5	100	65	43	46	23	1.3
HLC1S	1	1~13	152	14	32	104	23.5	39	108	66	44	51	23	1.5
HLC2S	2	3~22	199	18	42	136	36	49	142	87	58	56	30	3.7
HLC3S	3	12~35	263	22	48	179	41.5	69	184	108	68	80	36	8.1
HLC1W	1	2~20	188	14	32	118	31.5	42.5	123	75	47	72	46	2.5