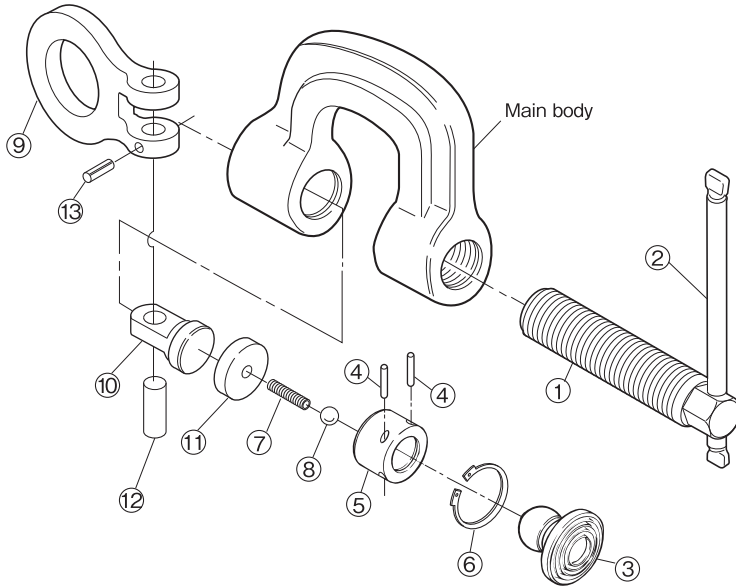


## ■ REPLACEMENT PARTS AND ASSEMBLIES



Part No.	Part Name		Assembly No. (Set No.)	Q'ty(pc)		
	Part Name	Assembly Name				
1	Screw	Screw	SUCR	1		
2	Handle			1		
3	Spherical Based Cam	Cam	SUT	1		
4	Stopper Pin			2		
5	Cam Holder			1		
6	Stop Ring			1		
7	Spring			1		
8	Steel Ball			1		
9	Shackle			Shackle	SUS	1
10	Shaft					1
11	Plate	1				
12	Connecting Pin	1				
13	Spring Pin	1				

1)When ordering, specify the rated capacity (ton) of item No.

(For instance, Cam for SUC3.2 is SUT3.2.)

\*Basic ordering unit is Assembly No. (Set No.) shown above in the table and 1) as an example.

2)Periodic lubrication is required at the sliding section of Cam Holder and Screw.