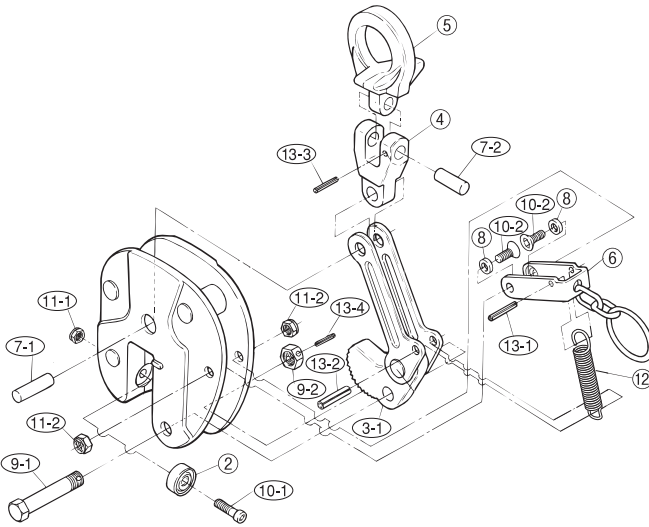


Replacement parts and fittings (Model:SVC-E)



| Part No. | Part Name | Item No. |
|---------------------------------|----------------------------|----------|
| SHACKLE ASSEMBLY | | |
| 4 | Connector | SVCJ |
| 5 | Shackle | SVCH |
| 7-1 | Connecting pin(Long) | SVCY |
| 7-2 | Connecting pin(Short) | SVCX |
| 13-3 | Spring pin | SVCR |
| CAM ASSEMBLY | | |
| 3-1 | Cam · Link | SVCT |
| 13-2 | Spring pin | SVCU |
| CAM SUPPORT PIN ASSEMBLY | | |
| 9-1 | Support bolt for cam | SVCK |
| 9-2 | Support nut for cam | SVCK |
| 13-4 | Spring pin | SVCO |
| PAD ASSEMBLY | | |
| 2 | Pad | SVCP |
| 10-1 | Hex.socket head cap screw | SVCV |
| 11-1 | Nylon nut | SVCV |
| HANDLE ASSEMBLY | | |
| 6 | U-handle | SVCG |
| 10-2 | Hex. socket flat head bolt | SVCF |
| 11-2 | U-nut | SVCF |
| 8 | Collar | SVCZ |
| 13-1 | Spring pin | SVCQ |
| 12 | Spring | SVCS |

Replacement procedure for cam and pad

Disassembling

- A) PAD (2)
 1. Take out by loosening Cap screw (10-1) and Nut (11-1).
- B) CAM (3-1)
 1. Pull out Spring pin (13-4) for Bolt (9-1) and Nut (9-2).
 2. Take out Bolt (9-1) and Nut (9-2). Be sure Spring (12) is not tensed before taking out.
 3. Detach Shackle (5) by pulling out Connecting pin (7-2) after taking out Spring pin (13-3) for Connector (4).
 4. Push down Connector (4) and push out Connector pin (7-1) with pin-punch or likes through small hole in the back-side of body after bringing Connecting pin (7-1) into line with hole of Main body.
 5. Take out Connector (4) and Cam (3-1). Pull out Spring pin (13-2) in Cam (3-1) side in order to take out Spring (12).

Reassembling

- A) PAD and (B) CAM
 - Assemble Pad (2) and Cam (3-1) with counter order of disassembly.