

» Original Twist Cam System

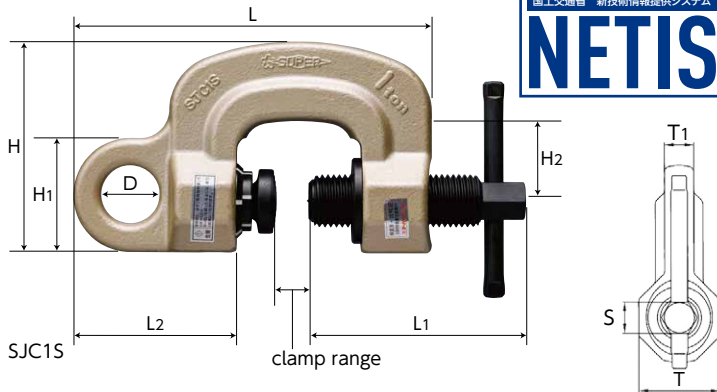
SJC-S

SCREW CAM CLAMP (Single Eye Type)
Twist Cam Type PAT.

CHECK!

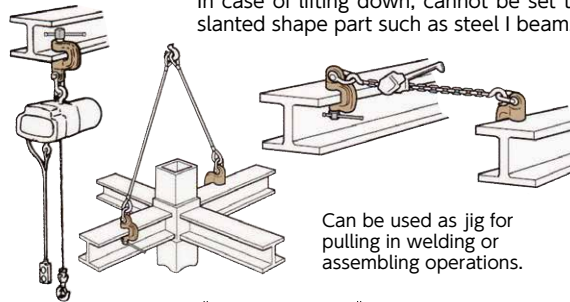


Operation manual & parts drawing

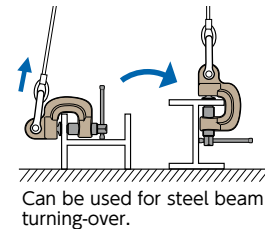


Example of use

⚠ Always lift a load at 2 or more points for safety.
In case of lifting down, cannot be set to slanted shape part such as steel I beams.



Can be used as jig for pulling in welding or assembling operations.



Can be used for steel beam turning-over.

Visual safety check

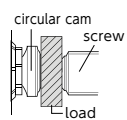


check marks are phosphorescent

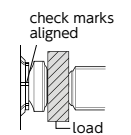
Tightening



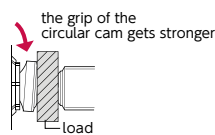
check marks get aligned



Before tightening



After tightening



When lifting

the grip of the circular cam gets stronger

Features

- All-purpose clamp that is especially ideal as lifting piece for chain blocks or hoists.
- The tightening mechanism with a screw and a circular cam (special spring type) provides sure clamping force on a load even when the load is landed or when vibrations occur during the lifting operation.
- High frequency quenching of special alloy steel gives greater toughness and durability.
- The main body has a champagne gold baked-on finish.
- The tightening check marks have phosphorescent (glow in the dark) paint for easy visual recognition.

Item No.	Rated capacity (ton)	Clamp range (mm)	Size (mm)										N.W. (kg)
			L	L1	L2	H	H1	H2	D	T	T1	S	
SJC0.5S	0.5	0~25	158	89	74	107.5	49	45	27	44	16	17	1.7
SJC1S	1	0~40	200	121	91	118.5	64	45	32	52	18	21	3.0

Note : After having checked that the check marks are aligned, operate tightening over 25N·m (approx. 250kgf·cm).

» Normal Type

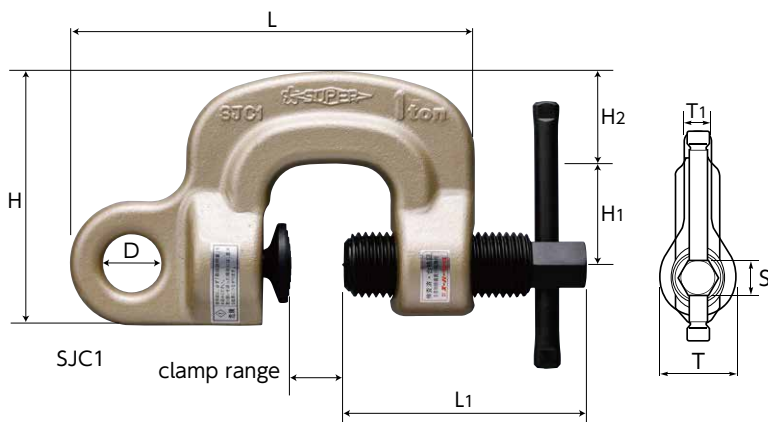
SJC

SCREW CAM CLAMP (Single Eye Type)

CHECK!



Operation manual & parts drawing



Example of use · Features

* The features (except the twist cam with check marks) and the examples of use are the same as SJC-S.

Item No.	Rated capacity (ton)	Clamp range (mm)	Size (mm)									N.W. (kg)
			L	L1	H	H1	H2	D	T	T1	S	
SJC0.5	0.5	0~25	147.5	89	102.5	45	35	22	40	14	21	1.6
SJC1	1	0~40	182	109	115	45	42	26	46	16	21	2.6
SJC2	2	0~40	195	121	137	45	57	36	55	25	21	3.8
SJC3	3	0~40	219.5	136	155	50	65	45	60	30	21	4.8

Note : For the torque value of the screw tightening, operate tightening over 25N·m (approx. 250kgf·cm).