

Outstanding Durability

CGC

LIFTING CLAMP FOR CONCRETE MATERIAL (Cam Type)

CHECK!



Operation manual & parts drawing

Example of use ⚠ Always lift a load at 2 or more points for safety.



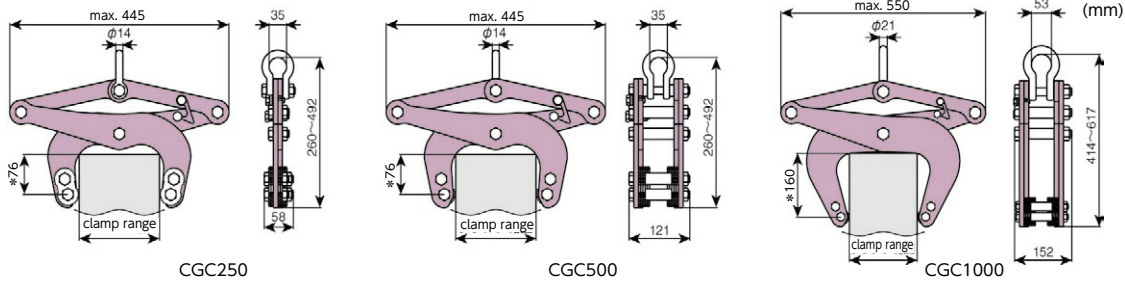
Features

- Ideal for various kinds of concrete materials like U shaped gutters, U flumes, L shaped panels, boards.
- New cam design with 4 adjustable positions, allowing outstanding durability.
- The releasing lock can be easily set and released by a single action with the hook plate.



CGC250

CGC500



* Dimensions with concrete material at max. thickness.

Item No.	Rated capacity (kg)	Clamp range (mm)	N.W. (kg)
CGC250	250	30~160	6
CGC500	500	30~160	12
CGC1000	1000	30~180	26

Cam types, pad types

Manual, machine types

Adjustable clamp range types, balances

Internal expanding lifting clamps for U shaped gutter

Special Rubber Pad Type

CGC-N

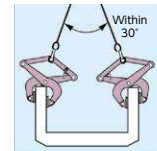
LIFTING CLAMP FOR CONCRETE MATERIAL (Pad Type)

CHECK!



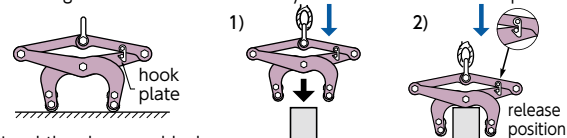
Operation manual & parts drawing

Example of use ⚠ Always lift a load at 2 or more points for safety.

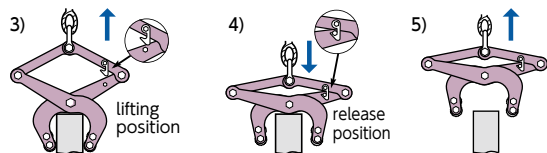


RELEASE & LOCK MECHANISM OPERATION

With CGC and CGC-N clamps, when you lock the hook plate, the releasing lock mechanism allows easy set or remove of the workpiece.



Land the clamp and lock the hook plate to set the clamp in release position. Position the opened clamp above the workpiece. Lay down the clamp and set it on the workpiece.

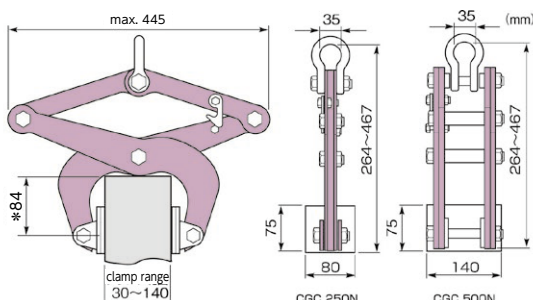


Unlock the hook plate to set the clamp in lifting position. Hoist the crane hook to lift the workpiece. Land the workpiece at the target place. At that time, the hook plate gets locked automatically. Hoist again the crane to remove the clamp, in the release position, from the workpiece.



CGC250N

CGC500N



* Dimensions with concrete material at max. thickness.

Item No.	Rated capacity (kg)	Clamp range (mm)	N.W. (kg)
CGC250N	250	30~140	6
CGC500N	500	30~140	12

Features

- Ideal for various kinds of concrete materials like U shaped gutters, U flumes, L shaped panels, boards.
- The spike design of the special rubber pads allows to grip firmly the load (can also be used as non-marring type).
- The releasing lock can be easily set and released by a single action with the hook plate.

Batch lifting clamps for bank block

* Parts drawings and operation manuals can be downloaded from our website.
● For all the appendix, please refer to P.54 ~56