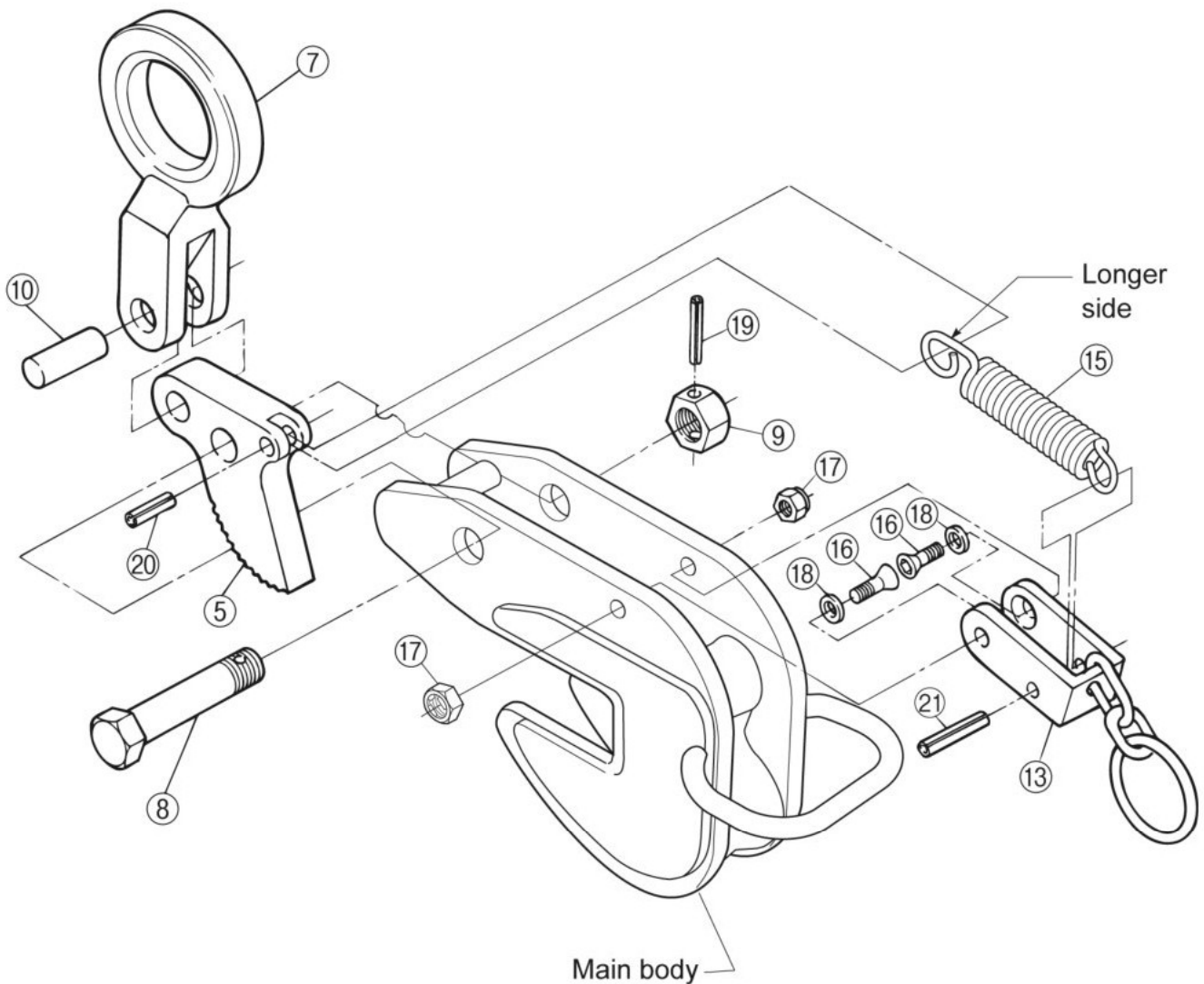


# REPLACEMENT PARTS AND ASSEMBLIES



| Part No.         | Part Name                     | Item No. | Set Q'ty | Part No.             | Part Name                             | Item No. | Set Q'ty |
|------------------|-------------------------------|----------|----------|----------------------|---------------------------------------|----------|----------|
| SHACKLE ASSEMBLY |                               |          |          | LOCK HANDLE ASSEMBLY |                                       |          |          |
| 7                | Shackle                       | HLCH     | 1        | 13                   | Lock Handle                           | HLCU     | 1        |
| 10               | Shackle Support Pin           | HLCY     | 1        | 16                   | Hex. hole disc bolt (for Lock Handle) | HLCK     | 2        |
| CAM ASSEMBLY     |                               |          |          | 17                   | U nut (for Lock Handle)               |          | 2        |
| 5                | Cam                           | HLCT     | 1        | 18                   | Collar (for Lock Handle)              | HLCC     | 2        |
| 20               | Spring Pin (for Spring)       | HLCR     | 1        | 21                   | Spring Pin (for Lock Handle)          | HLCQ     | 1        |
| 8                | Support Bolt (for Cam)        | HLCN     | 1        |                      |                                       |          |          |
| 9                | Nut (for Cam)                 |          | 1        | 15                   | Spring                                | HLCS     | 1        |
| 19               | Spring Pin (for Support Bolt) | HLCO     | 1        |                      |                                       |          |          |

1) When ordering, specify the rated capacity (ton) of item No. with "U" .

(Example: Cam Assembly for HLC2U is HLT2U.)

2) Periodic lubrication is required at pin and moving parts.