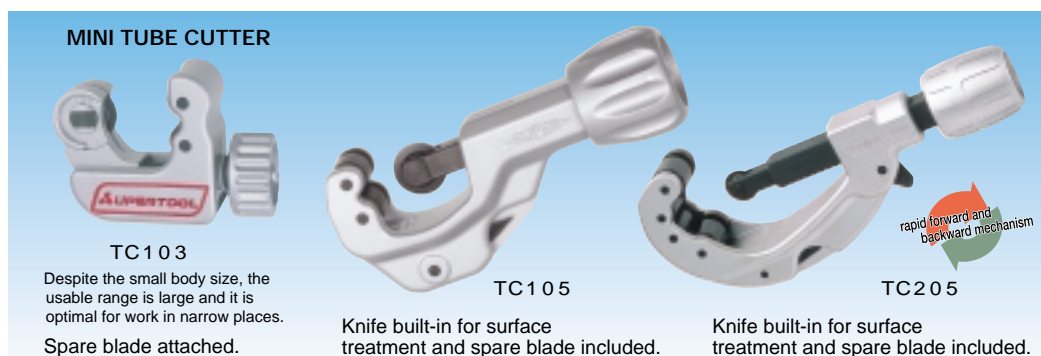


TUBE CUTTER

TC 103 ~ 205

Optimal for cutting copper tubing.
Special tool steel with superior heat treatment enables clean cutting and excellent durability.
No scraps after cutting, excellent cut, superb cut surface.



Example of use



One spare blade is attached in the knob.

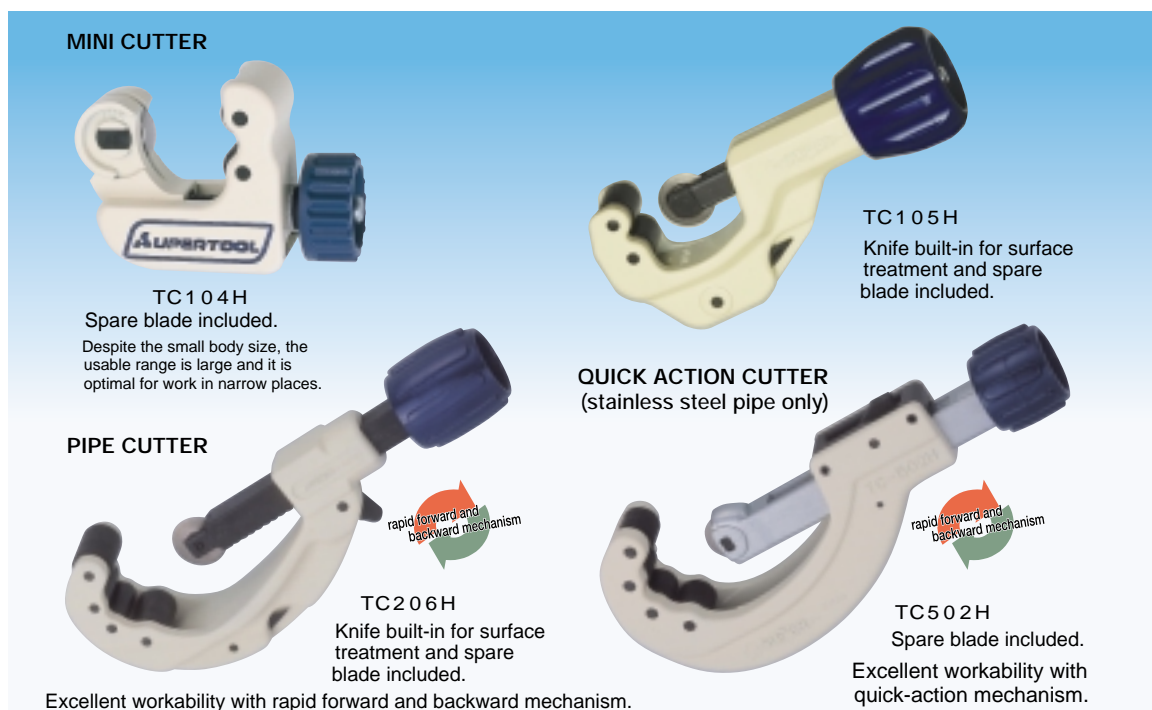
(Unit : mm)

Item No.	Applicable pipes			Spare blade	Full length	Weight (g)	Remarks
	External diameter	Max. thickness	Material				
TC103	3 ~ 16(1/8 - 5/8)	3 (1/8)	Copper, Aluminum, Brass and PVC	TCC 105	50	110	
TC104	5 ~ 28(3/16 - 1)				65	200	
TC105	3 ~ 32(1/8 - 1 1/4)				126.5	230	
TC107	5 ~ 45(3/16 - 1 3/4)				163	400	
TC205	6 ~ 60(1/4 - 2 3/8)				193	750	

STAINLESS STEEL PIPE CUTTER

TC 104H ~ 502H

No scraps after cutting, excellent cut, superb cut surface.
Special tool steel with superior heat treatment enables clean cutting and excellent durability.



Example of use



TC104H



TC105H



TC206H



TC502H

(Unit : mm)

Item No.	Applicable pipes			Spare blade	Full length	Weight (g)	Remarks
	External diameter	Max. thickness	Material				
TC104H	5 ~ 28(8 ~ 25SU)	3	Stainless steel, steel, flexible stainless steel	TCC 107H	65	200	
TC105H	3 ~ 32(8 ~ 25SU)				130	200	
TC107H	5 ~ 45(8 ~ 40SU)				163	400	
TC206H	6 ~ 60(8 ~ 60SU)	6 (1/4)		TCC 206H	200	760	
TC502H	16 ~ 60(16 ~ 60SU)				230	1.030	